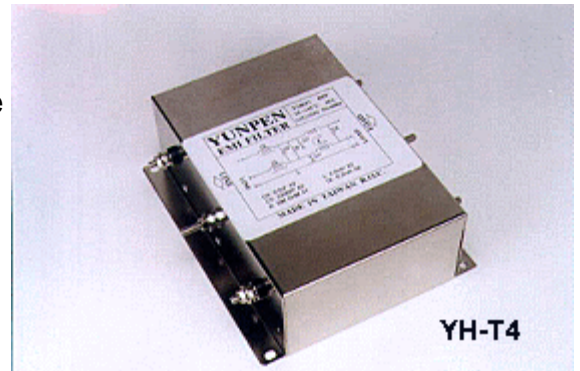


YUNPEN USA

YH-T4 SERIES

1. FEATURES

- Good noise attenuation in both forward and reverse directions for common mode and normal mode.
- High reliability designed for industrial equipment usage with 3 phases, 250vac/500vac



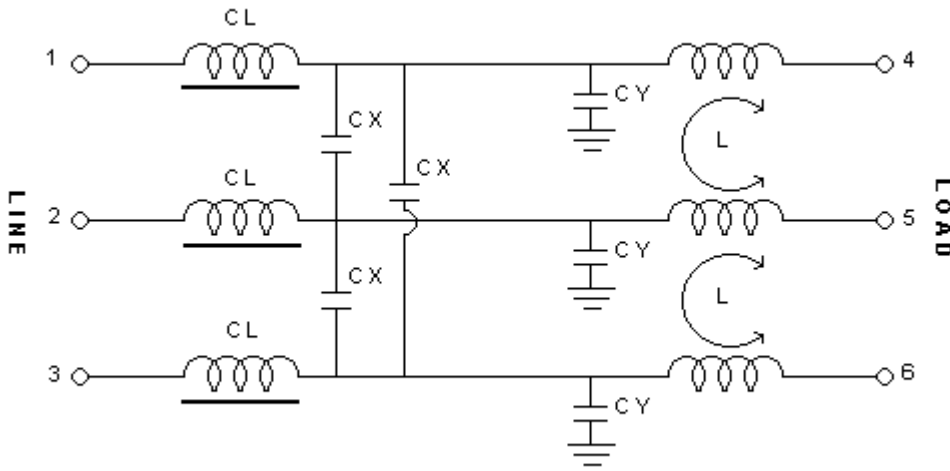
2. SPECIFICATIONS

| ITEM \ MODEL | | YH10T4/YH10T4-1 | YH15T4/YH15T4-1 | YH20T4/YH20T4-1 | YH30T4/YH30T4-1 |
|---------------------------|---------------------|--|--|--|--|
| RATED VOLTAGE | | 250V AC/500V AC | 250V AC/500V AC | 250V AC/500V AC | 250V AC/500V AC |
| RATED CURRENT | | 10A | 15A | 20A | 30A |
| LEAK CURRENT | | 1.3mA MAX 250V,50HZ 3.0mA MAX 500V,50HZ | 1.3mA MAX 250V,50HZ 3.0mA MAX 500V,50HZ | 1.3mA MAX 250V,50HZ 3.0mA MAX 500V,50HZ | 1.3mA MAX 250V,50HZ 3.0mA MAX 500V,50HZ |
| TEST VOLTAGE | LINE TO LINE | 1450V DC | 1450V DC | 1450V DC | 1450V DC |
| | LINE TO GROUND | 2250V DC | 2250V DC | 2250V DC | 2250V DC |
| INSULATION RESISTANCE | | 100M ohm MIN 250VDC 100M ohm MIN 500VDC | 100M ohm MIN 250VDC 100M ohm MIN 500VDC | 100M ohm MIN 250VDC 100M ohm MIN 500VDC | 100M ohm MIN 250VDC 100M ohm MIN 500VDC |
| DIRECT CURRENT RESISTANCE | | 0.5 ohm MAX | 0.2 ohm MAX | 0.15 ohm MAX | 0.1 ohm MAX |
| TEMPERATURE RISE | | 30C MAX | 30C MAX | 30C MAX | 30C MAX |
| OPERATING TEMPERATURE | | -25 ~ +85C | -25 ~ +85C | -25 ~ +85C | -25 ~ +85C |
| ATTENUATION | NORMAL MODE 25dbMIN | 0.16 ~ 50MHZ | 0.80 ~ 50MHZ | 0.80 ~ 50MHZ | 1.38 ~ 50MHZ |
| | COMMON MODE 25dbMIN | 0.24 ~ 50MHZ | 0.20 ~ 50MHZ | 0.40 ~ 50MHZ | 0.70 ~ 50MHZ |
| CX | | 0.2uF*3 | 0.2uF*3 | 0.2uF*3 | 0.2uF*3 |
| CY | | 3300pF*3 | 3300pF*3 | 3300pF*3 | 3300pF*3 |
| INDUCTANCE | | (1.45+0.9)mH*3 | (0.7+0.74)mH*3 | (0.51+0.46)mH*3 | (0.36+0.35)mH*3 |

3. NOISE ATTENUATION (dB)

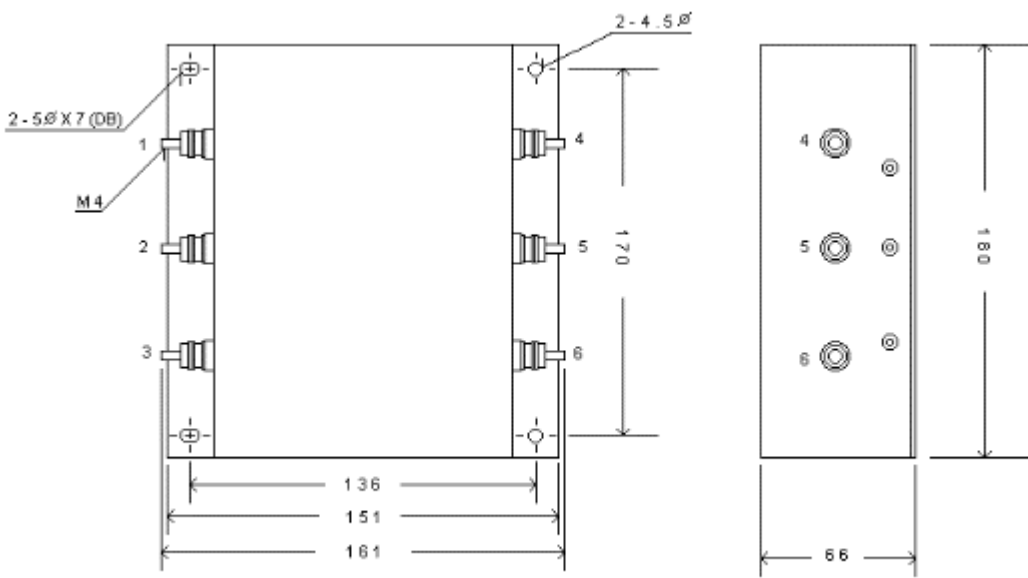
| COMMON MODE (LINE TO GROUND) IN 50 OHM SYSTEM | | | | | | | |
|---|----------------|---------------|-----|-----|-----|------|------|
| TYPE | CURRENT RATING | FREQUENCY-MHZ | | | | | |
| | | 0.15 | 0.5 | 1.0 | 5.0 | 10.0 | 30.0 |
| YH10T4 | 10A | 22 | 62 | 71 | 77 | 64 | 39 |
| YH15T4 | 15A | 11 | 48 | 57 | 62 | 60 | 34 |
| YH20T4 | 20A | 9 | 38 | 49 | 55 | 53 | 33 |
| YH30T4 | 30A | 6 | 37 | 50 | 59 | 63 | 47 |
| DIFFERENTIAL MODE (LINE TO LINE) IN 50 OHM SYSTEM | | | | | | | |
| YH10T4 | 10A | 29 | 60 | 68 | 80 | 69 | 49 |
| YH15T4 | 15A | 15 | 52 | 61 | 73 | 65 | 42 |
| YH20T4 | 20A | 16 | 45 | 55 | 64 | 63 | 39 |
| YH30T4 | 30A | 13 | 41 | 55 | 59 | 43 | 35 |

4. CIRCUIT



5. DIMENSION(mm)

YH10T4~YH30T4



YH10T4-1~YH30T4-1

