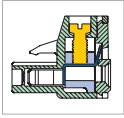


MC100 Connector, Pluggable Terminal Blocks

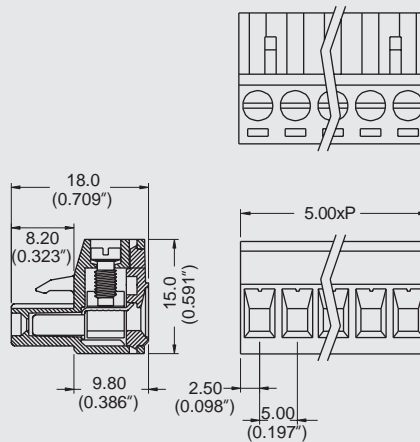


MC

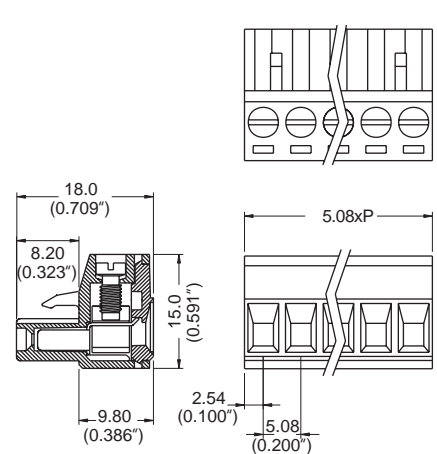
DIMENSIONS/POSITIONS		MC100-500	MC100-508
間距	Pitch	5.00mm	5.08mm
位數	Poles	2 ~ 24Poles	2 ~ 24Poles
塑膠本體	Housing Material	PA 66	PA 66
壓線圈	Cage Clamp	Brass, Ni Plated	Brass, Ni Plated
導電夾片	Contact	Phosphor Bronze, Tin Plated	Phosphor Bronze, Tin Plated
螺紋	Screw Thread	M3.0, Steel, Zinc Plated	M3.0, Steel, Zinc Plated
電線線徑	Wire Size	12 ~ 24AWG	12 ~ 24AWG
最大緊固扭矩	Tightening Torque, Max.	7.0 Lb-in	7.0 Lb-in
環境作業溫度	Operating Temperature	-40°C to +105°C	-40°C to +105°C

TECHNICAL DATA

連接符合標準 Connection in acc. with standard EN-VDE			
額定電流 I _n	Nominal Current I _n	16A	16A
額定橫截面	Nominal Cross Section	2.5mm ²	2.5mm ²
最大負載電流	Maximum load current	16A	16A
絕緣材料	Insulating Material	PA	PA
阻燃等級,符合UL94 Inflammability class acc. to UL94		V0	V0
額定電壓,UL/CUL Nominal voltage, UL/CUL		300V	300V
額定電流,UL/CUL Nominal current, UL/CUL		16A	16A



Note:
Screw Plating: Changes are available upon request
Cage Clamp: MC 100 # : Steel



Note:
Screw Plating: Changes are available upon request
Cage Clamp: MC 100 # : Steel