

# SERIES 44

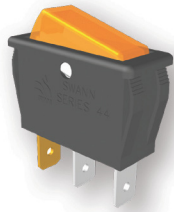
44系列



44 scallop button



44 scallop button 3 position

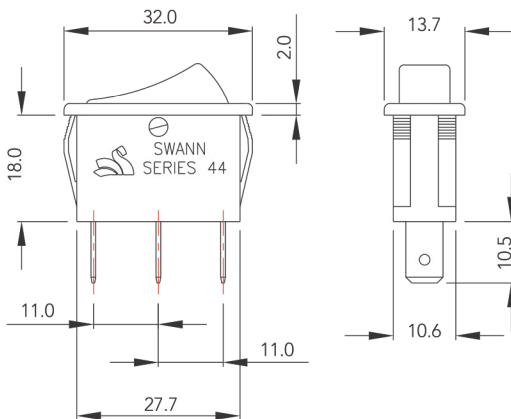


44 transparent flat button

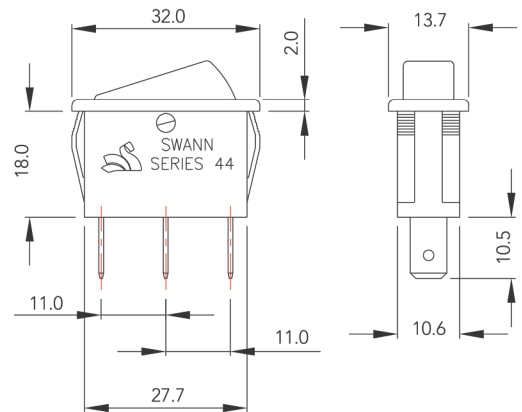


44 rectangular lens

## Dimensions (mm) 产品尺寸



44 Scallop Button



44 Flat Button

## Ratings & Approvals 额定负载 与安全认证

|  |                        |
|--|------------------------|
|  | 20A 125VAC, 15A 250VAC |
|  | 16(6)A 250V~           |
|  | 16(6)A 250V~           |

Rating for 44D# only

|  |                        |
|--|------------------------|
|  | 16A 125VAC, 12A 250VAC |
|  | 16(6)A 250V~           |
|  | 16(6)A 250V~           |

**RoHS**

RoHS Compliant

## Panel Cutout (mm) 面板尺寸

| Panel Thickness | L (+0.1) | W (+0.1) |
|-----------------|----------|----------|
| 1.0 (Min.)      | 30.0     | 11.0     |
| 3.0 (Max.)      | 30.2     | 11.0     |

## Circuits 电路

| A                     | B     | C        | D         | G                              |
|-----------------------|-------|----------|-----------|--------------------------------|
|                       |       |          |           |                                |
| on-off                | on-on | (on)-off | on-off-on | on-off illuminated at on<br>带灯 |
| ( ) Momentary<br>自动复位 |       |          |           |                                |

## Electrical Properties

### 电气性能

|                        |   |
|------------------------|---|
| Contact Gap            | ≥ 3mm   |
| Insulation Spacing     | ≥ 8mm   |
| Contact Resistance     | < 20mΩ initially                                    |
| Dielectric Strength    | Up to 3.5 kV  |
| Insulation Resistance  | > 50MΩ (500VDC between the open contacts) initially |
| Electrical Life        | ≥ 20,000 cycles at full load                        |
| Resistance to Tracking | PTI 250   |

## Mechanical Properties

### 机械性能



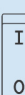

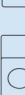
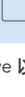



|                 |   |  |
|-----------------|---|--|
| Glow Wire Test  | 850°C (category D)  |  |
| Flammability    | UL 94V-2 minimum  |  |
| Mechanical Life | ≥ 100,000 cycles  |  |
| Material        | Button/Body<br>Transparent Button<br>Terminals<br>Contact | Nylon 6/6<br>Polycarbonate<br>Copper Alloy<br>Silver Alloy |

## Product Ordering Code

### 产品定货代码

Illustration: 44 G B / R - S 1 250V QC U/C/V

44   /  -

| Circuits<br>电路              | Code | Body Color<br>主体颜色 | Code | Button Color<br>按钮颜色 | Code | Button Style<br>按钮样式 | Code | Legends<br>标志   | Code | Lamp Voltage<br>灯泡电压 | Code | Terminals<br>端子  | Code  |
|-----------------------------|------|--------------------|------|----------------------|------|----------------------|------|---|------|----------------------|------|--|-------|
| on-off                      | A    | Black              | B    | Black                | B    | Scalloped            | S    |  | 1    | None                 |      | 6.3x0.8mm Quick Connect  | QC    |
| on-on                       | B    | White              | W    | White                | W    | Flat                 | F    |  | 2    | 125VAC               | 125V | <b>Ratings</b><br>额定负载<br>Code<br>UL/ 20A 125VAC<br>CSA 15A 250VAC<br>CSA ½HP 125VAC<br>VDE/ 16(6)A 250V~<br>ENEC<br>Rating for 44D# only<br>cULus 16A 125VAC<br>12A 250VAC<br>VDE/ 16(6)A 250V~<br>ENEC | U/C/V |
| (on)-off                    | C    | Bisque             | Bs   | Bisque               | Bs   |                      |      |  | 3    | 125/250VAC           | 250V |  |       |
| on-off-on                   | D    |                    |      | Red                  | R    |                      |      |  | 4    | 12VDC                | 12V  |  |       |
| on-off illuminated at on 带灯 | G    |                    |      | Amber                | Ar   |                      |      |  | 5    | 24VDC                | 24V  |  |       |
| ( ) Momentary 自动复位          |      |                    |      | Green                | Gn   |                      |      |  | 6    |                      |      |  |       |
|                             |      |                    |      |                      |      |                      |      |  | 7    |                      |      |  |       |
|                             |      |                    |      |                      |      |                      |      |  | 8    |                      |      |  |       |
|                             |      |                    |      |                      |      |                      |      |  | 9    |                      |      |  |       |
|                             |      |                    |      |                      |      |                      |      |  | 10   |                      |      |  |       |
|                             |      |                    |      |                      |      |                      |      |  | 11   |                      |      |  |       |
|                             |      |                    |      |                      |      |                      |      |  | 12   |                      |      |  |       |

Please refer to Swann for colors, legends or configurations not listed above 以上未列出之颜色,标志及配置结构,请联络索尔安查询