



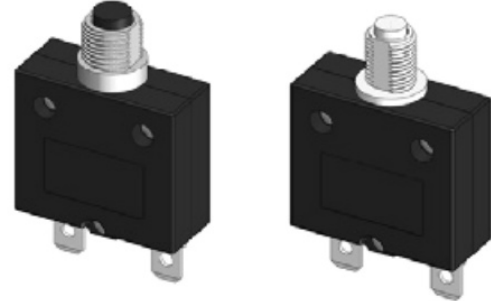
98 Series Thermal Circuit Breaker

Single Pole Push to Reset



•Technical data

- Current rating range 5~30A
- Input voltage rating 125/250VAC; 32/50VDC
- Interrupting Capacity 125/250VAC x 1,000A(UL 1077)
- Typical life 1,000 operations at 200% overload.
- Insulation co-ordination Rated impulse withstand voltage 2.5kV
- Dielectric Strength > 1,500VAC/min.
- Insulation Resistance >100MOHM (DC 500V)
- Degree of protection Terminal area IP00, operating area IP40



•Mechanical/Environmental Data

- Operating Ambient Temperature: -10°C to +60°C
- Termination: 250"(6.35mm) quick connects or solder terminals
- Mounting: Various options. See Ordering Information and drawings

•Compliance with Rohs

The product accords with the requirement of ROHS (2011/65/EU)
Contacts use Exempted item of RoHS Directive 2010/571/EU 8(a)

•Compliance with REACH, PAHS, PH1, PH2, PH3

- Ignition Proof Yes, UL PEQ22.E155159

•Typical applications

Transforms, Motors, Battery chargers, Power supplies, appliances, extra low voltage systems, machinery.

•Calibration(at25°C)

- 100% of Rated Current: Hold , No Trip
- 150% of Rated Current: Trip Within 1 Hour.
- 200% of Rated Current: 5-30 sec Trip
- 300% of Rated Current: 1.5-5.0 sec Trip

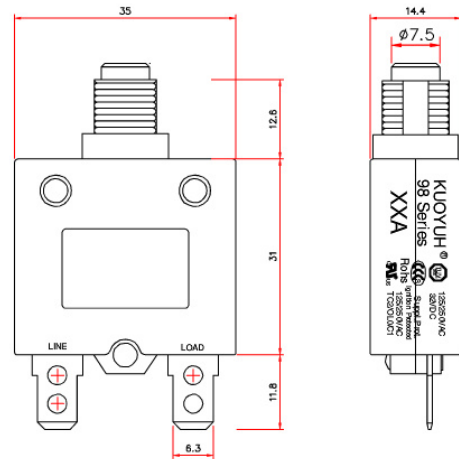
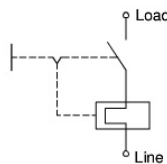
•Approval

Approval & File No.	Rated current	Rated voltage
•CUL UL E155159	3-50A	125/250VAC; 50VDC
•TUV SUD B15 09 58611 007	3-30A	125/250VAC; 32VDC
•CCC 201101030752058	3-30A	125/250VAC.
•VDE 40036160	3-16A	125/250VAC
•CSA 102199	3-30A	125VAC

•Max. Internal Resistance

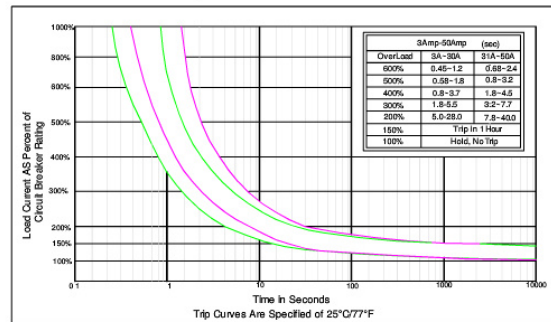
Amp rating	Max resistance
3-5 A	<0.225 Ohms
6-8 A	<0.175 Ohms
9-11 A	<0.125 Ohms
12-13 A	<0.050 Ohms
14-17 A	<0.040 Ohms
18-24 A	<0.030 Ohms
25-35 A	< 0.020 Ohms
36-50 A	< 0.010 Ohms

•Internal connection diagram



* Dimension in mm:

•98 Series 3A-50A Trip Time Curves



•Ambient Temperature Correction Factor

Ambient temperature	-10°C	0°C	10°C	25°C	35°C	40°C	50°C	60°C
Multiplication factor	*1.30	*1.20	*1.10	1.00	*0.94	*0.85	*0.73	*0.68

The time/current characteristic curve depends on the ambient temperature prevailing. In order to eliminate nuisance tripping. Please multiply the circuit breaker current ratings by the derating factor shown below.

Example : Normal Continuous Current = 10A
Ambient Temperature = 45°C
Multiplication Factor = 0.85
Recommended Rating= 10A/0.85=11.8A
Select the Nearest Rating = 12A

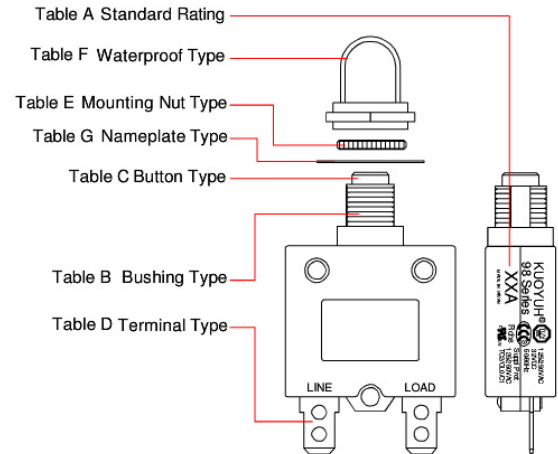
* The specification subject to change without notice. The drawing is for reference only.



Order Guide	98- 20- A1 B 1 4- P 0 0 N B
Series No.	(Table A)
Amp Rating.	(Table B)
Bushing Type.	(Table C)
Color of Button.	(Table D)
Terminal Type.	(Table E)
Voltage.	1=UL& CSA 125Vac, 2=TUV & CCC 250Vac, 3=1+2 125/250Vac, 4=UL+TUV+CCC 125/250Vac/32Vdc, 5=Client designation 6=UL 125/250Vac/50Vdc, 8=VDE 125/250Vac, 9=CSA 125Vac U3 type
Mounting Nut Type.	(Table F)
Waterproof Type.	(Table G)
Nameplate Type.	(Table H)
Terminal Finish.	S=Plate with Tin N=Plate with Nickel 0=No plate
Body Type.	B=Black W=White

03= 3.0A	13= 13.0A
3.5= 3.5A	15= 15.0A
04= 4.0A	16= 16.0A
05= 5.0A	17= 17.0A
06= 6.0A	18= 18.0A
07= 7.0A	20= 20.0A
08= 8.0A	25= 25.0A
09= 9.0A	30= 30.0A
10= 10.0A	35= 35.0A
11= 11.0A	40= 40.0A
12= 12.0A	50= 50.0A

A1 Metal M11XP1.0	B1 Metal M11XP1.0	A2 Metal M12XP1.0	A3 Metal 3/8"-27T
B3 Metal 3/8"-27T	B7 Metal 7/16"-27T	P1 Plastic M11XP1.0	P2 Plastic M12XP1.0
P3 Plastic 3/8"-27T	PS Plastic Snap in	KF Plastic Snap in	
Panel Hole			
P1,A1,B1	A2,P2	P3,A3,B3	PS,KF
B7			



0 None	P Plastic Integrated Knurl nut	Q Plastic Knurl nut	A Metal Knurl nut	B Metal Hex nut M11 H=14 M12 H=15	C Metal A	4 Metal G	5 Metal A	6 Metal B
---------------	---------------------------------------	----------------------------	--------------------------	--	------------------	------------------	------------------	------------------

B = Black button (黑推桿) W = White button (白推桿) R = Red button (紅推桿)		
1	5	6
7	8	9
X	Y	Z

0 None	R	V	F	U
---------------	----------	----------	----------	----------

0 None	B Black plate	A Black plate	S Black plate	L Black plate
	W White plate		X White plate	

1 Straight 11.8mm	2 90° bend	3 90° bend	4 Live pin 90° bend Load pin Straight	5 Live pin Straight Load pin 90° bend	8 45° bend up	9 45° bend down	F Screw #8-32 Straight	L Screw #9-32 90° bend up	J Screw #8-32 90° bend down	G Live pin Screw 90° bend Load pin 90° bend	K Live pin 90° bend Load pin 90° bend	H Live pin 90° bend Load pin Straight
--------------------------	-------------------	-------------------	--	--	----------------------	------------------------	-------------------------------	----------------------------------	------------------------------------	--	--	--

* The specification subject to change without notice. The drawing is for reference only.

KUOYUH W.L. Enterprise Co., Ltd.
 No.17 Ksjia 6th Road Douliu City Yunlin Hsien 64007 Taiwan R.O.C
 http://www.kuoyuh.com.tw sales@kuoyuh.com
 Taiwan Tel: 886 5 551 3222 Fax: 886 5 551 3030
 China Tel: 86 769 8366 6388 Fax: 86 769 8366 6362
 Issue: F1
 Date: 2017.02.20

