

# SCANSWITCH™

## NPN Bipolar Power Deflection Transistor

### For High and Very High Resolution Monitors

The MJW16212 is a state-of-the-art SWITCHMODE™ bipolar power transistor. It is specifically designed for use in horizontal deflection circuits for 20 mm diameter neck, high and very high resolution, full page, monochrome monitors.

- 1500 Volt Collector–Emitter Breakdown Capability
- Typical Dynamic Desaturation Specified (New Turn–Off Characteristic)
- Application Specific State–of–the–Art Die Design
- Fast Switching:
  - 200 ns Inductive Fall Time (Typ)
  - 2000 ns Inductive Storage Time (Typ)
- Low Saturation Voltage:
  - 0.15 Volts at 5.5 Amps Collector Current and 2.5 A Base Drive
- Low Collector–Emitter Leakage Current — 250  $\mu$ A Max at 1500 Volts —  $V_{CES}$
- High Emitter–Base Breakdown Capability For High Voltage Off Drive Circuits — 8.0 Volts (Min)

#### MAXIMUM RATINGS

Rating	Symbol	Value	Unit
Collector–Emitter Breakdown Voltage	$V_{CES}$	1500	Vdc
Collector–Emitter Sustaining Voltage	$V_{CEO(sus)}$	650	Vdc
Emitter–Base Voltage	$V_{EBO}$	8.0	Vdc
RMS Isolation Voltage (2) (for 1 sec, $T_A = 25^\circ\text{C}$ , Rel. Humidity < 30%)	$V_{ISOL}$	— —	V
Collector Current — Continuous — Pulsed (1)	$I_C$ $I_{CM}$	10 15	Adc
Base Current — Continuous — Pulsed (1)	$I_B$ $I_{BM}$	5.0 10	Adc
Maximum Repetitive Emitter–Base Avalanche Energy	W (BER)	0.2	mJ
Total Power Dissipation @ $T_C = 25^\circ\text{C}$ @ $T_C = 100^\circ\text{C}$ Derated above $T_C = 25^\circ\text{C}$	$P_D$	150 39 1.49	Watts W/ $^\circ\text{C}$
Operating and Storage Temperature Range	$T_J, T_{stg}$	–55 to 125	$^\circ\text{C}$

#### THERMAL CHARACTERISTICS

Characteristic	Symbol	Max	Unit
Thermal Resistance — Junction to Case	$R_{\theta JC}$	0.67	$^\circ\text{C/W}$
Lead Temperature for Soldering Purposes 1/8" from the case for 5 seconds	$T_L$	275	$^\circ\text{C}$

- (1) Pulse Test: Pulse Width = 5.0 ms, Duty Cycle  $\leq$  10%.  
(2) Proper strike and creepage distance must be provided.

**Preferred** devices are Motorola recommended choices for future use and best overall value.

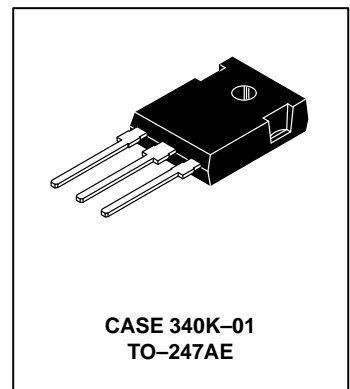
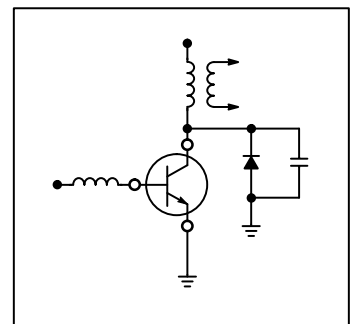
SCANSWITCH and SWITCHMODE are trademarks of Motorola Inc.

**MJF18002 (See MJE18002)**  
**MJF18004 (See MJE18004)**  
**MJF18006 (See MJE18006)**  
**MJF18008 (See MJE18008)**

**MJW16212\***

\*Motorola Preferred Device

**POWER TRANSISTOR**  
**10 AMPERES**  
**1500 VOLTS –  $V_{CES}$**   
**50 AND 150 WATTS**



**ELECTRICAL CHARACTERISTICS** ( $T_C = 25^\circ\text{C}$  unless otherwise noted)

Characteristic	Symbol	Min	Typ	Max	Unit
<b>OFF CHARACTERISTICS (2)</b>					
Collector Cutoff Current ( $V_{CE} = 1500\text{ V}, V_{BE} = 0\text{ V}$ ) ( $V_{CE} = 1200\text{ V}, V_{BE} = 0\text{ V}$ )	$I_{CES}$	—	—	250 25	$\mu\text{A}_{dc}$
Emitter–Base Leakage ( $V_{EB} = 8.0\text{ Vdc}, I_C = 0$ )	$I_{EBO}$	—	—	25	$\mu\text{A}_{dc}$
Emitter–Base Breakdown Voltage ( $I_E = 1.0\text{ mA}, I_C = 0$ )	$V_{(BR)EBO}$	8.0	11	—	Vdc
Collector–Emitter Sustaining Voltage (Table 1) ( $I_C = 10\text{ mA}_{dc}, I_B = 0$ )	$V_{CEO(sus)}$	650	—	—	Vdc
<b>ON CHARACTERISTICS (2)</b>					
Collector–Emitter Saturation Voltage ( $I_C = 5.5\text{ A}_{dc}, I_B = 2.2\text{ A}_{dc}$ ) ( $I_C = 3.0\text{ A}_{dc}, I_B = 400\text{ mA}_{dc}$ )	$V_{CE(sat)}$	—	0.15 0.14	1.0 1.0	Vdc
Base–Emitter Saturation Voltage ( $I_C = 5.5\text{ A}_{dc}, I_B = 2.2\text{ A}_{dc}$ )	$V_{BE(sat)}$	—	0.9	1.5	Vdc
DC Current Gain ( $I_C = 1.0\text{ A}, V_{CE} = 5.0\text{ Vdc}$ ) ( $I_C = 10\text{ A}, V_{CE} = 5.0\text{ Vdc}$ )	$h_{FE}$	— 4.0	24 6.0	— 10	—

**DYNAMIC CHARACTERISTICS**

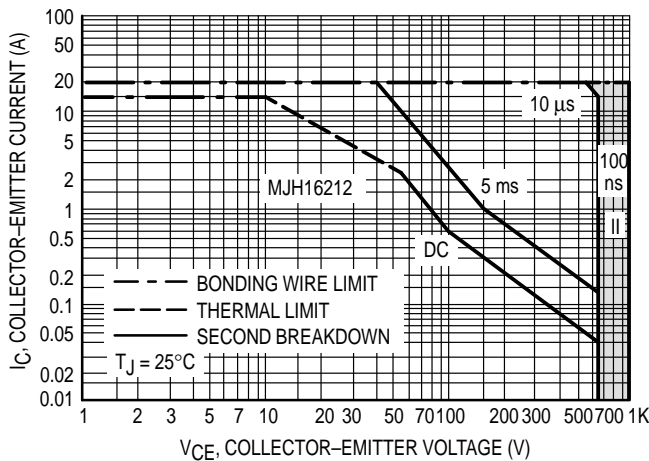
Dynamic Desaturation Interval ( $I_C = 5.5\text{ A}, I_{B1} = 2.2\text{ A}, LB = 1.5\ \mu\text{H}$ )	$t_{ds}$	—	350	—	ns
Output Capacitance ( $V_{CE} = 10\text{ Vdc}, I_E = 0, f_{test} = 100\text{ kHz}$ )	$C_{ob}$	—	180	350	pF
Gain Bandwidth Product ( $V_{CE} = 10\text{ Vdc}, I_C = 0.5\text{ A}, f_{test} = 1.0\text{ MHz}$ )	$f_T$	—	2.75	—	MHz
Emitter–Base Turn–Off Energy ( $EB_{(avalanche)} = 500\text{ ns}, R_{BE} = 22\ \Omega$ )	$EB_{(off)}$	—	35	—	$\mu\text{J}$
Collector–Heatsink Capacitance — MJF16212 Isolated Package (Mounted on a 1" x 2" x 1/16" Copper Heatsink, $V_{CE} = 0, f_{test} = 100\text{ kHz}$ )	$C_{C-hs}$	—	5.0	—	pF

**SWITCHING CHARACTERISTICS**

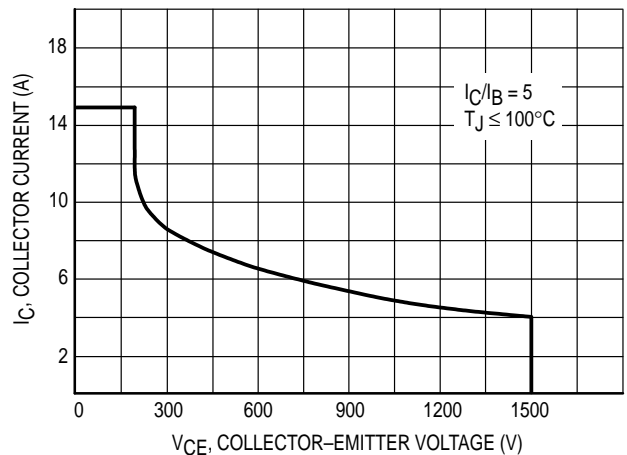
Inductive Load ( $I_C = 5.5\text{ A}, I_B = 2.2\text{ A}$ ), High Resolution Deflection Simulator Circuit Table 2					ns
Storage	$t_{sv}$	—	2000	4000	
Fall Time	$t_{fi}$	—	200	350	

(2) Pulse Test: Pulse Width = 300  $\mu\text{s}$ , Duty Cycle  $\leq 2.0\%$ .

**SAFE OPERATING AREA**



**Figure 1. Maximum Forward Bias Safe Operating Area**



**Figure 2. Maximum Reverse Bias Safe Operating Area**

SAFE OPERATING AREA (continued)

FORWARD BIAS

There are two limitations on the power handling ability of a transistor: average junction temperature and second breakdown. Safe operating area curves indicate  $I_C - V_{CE}$  limits of the transistor that must be observed for reliable operation; i.e., the transistor must not be subjected to greater dissipation than the curves indicate.

The data of Figure 1 is based on  $T_C = 25^\circ\text{C}$ ;  $T_{J(pk)}$  is variable depending on power level. Second breakdown pulse limits are valid for duty cycles to 10% but must be derated when  $T_C \geq 25^\circ\text{C}$ . Second breakdown limitations do not derate the same as thermal limitations. Allowable current at the voltages shown on Figure 1 may be found at any case temperature by using the appropriate curve on Figure 3.

At high case temperatures, thermal limitations will reduce the power that can be handled to values less than the limitations imposed by second breakdown.

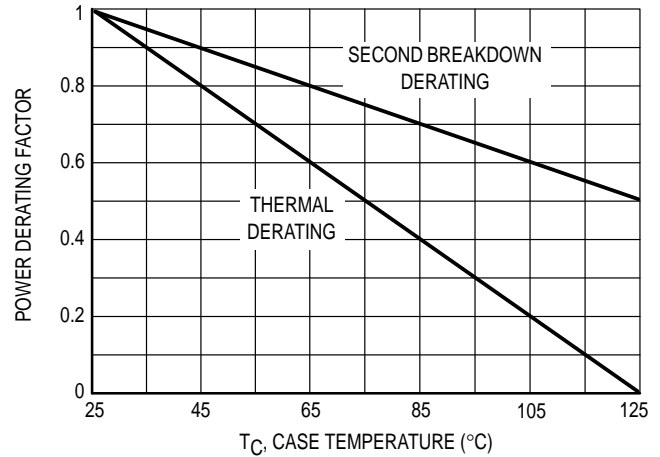


Figure 3. Power Derating

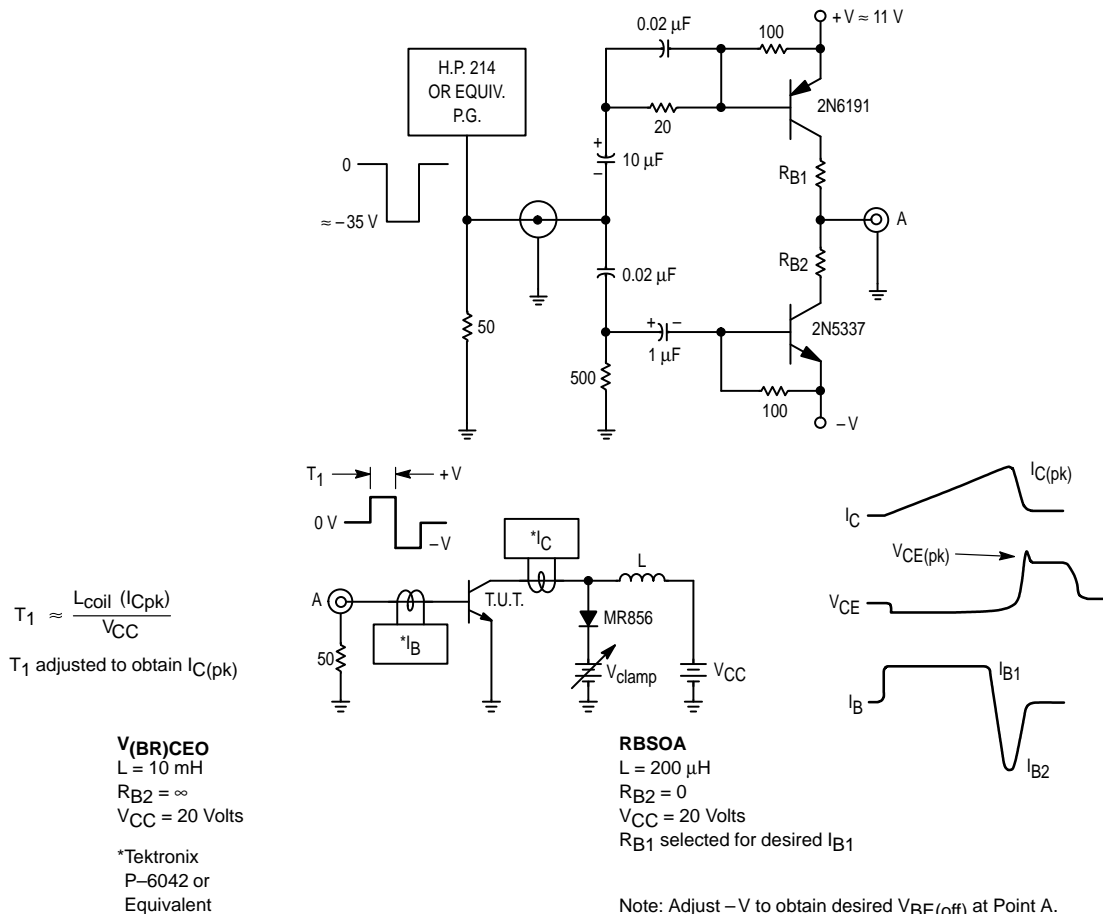
REVERSE BIAS

For inductive loads, high voltage and high current must be sustained simultaneously during turn-off, in most cases, with the base-to-emitter junction reverse biased. Under these conditions the collector voltage must be held to a safe level at or below a specific value of collector current. This can be accomplished by several means such as active clamping,

RC snubbing, load line shaping, etc.

The safe level for these devices is specified as Reverse Biased Safe Operating Area and represents the voltage-current condition allowable during reverse biased turnoff. This rating is verified under clamped conditions so that the device is never subjected to an avalanche mode. Figure 2 gives the RBSOA characteristics.

Table 1. RBSOA/V(BR)CEO(SUS) Test Circuit



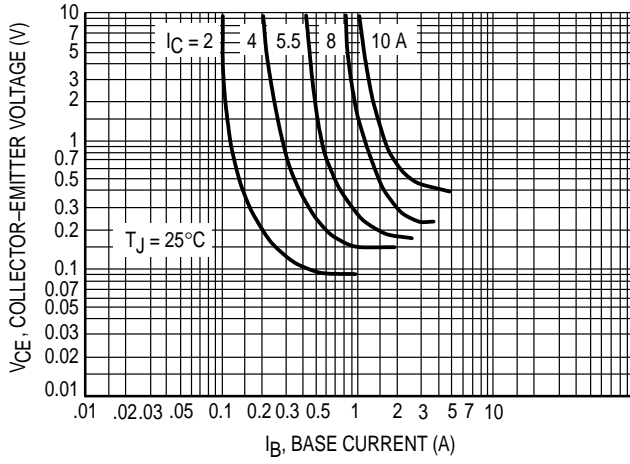


Figure 4. Typical Collector-Emitter Saturation Region

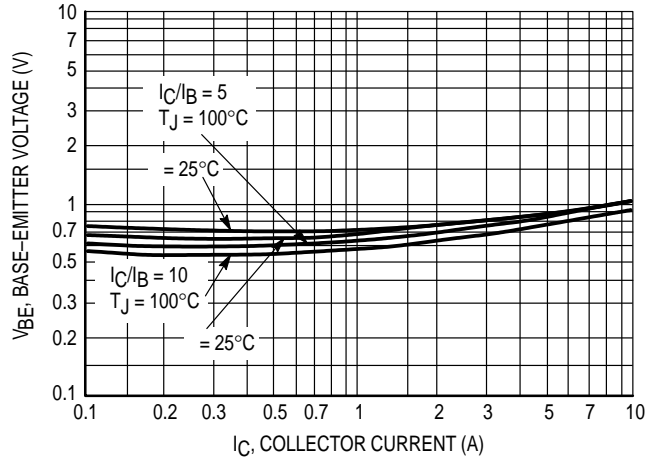


Figure 5. Typical Emitter-Base Saturation Voltage

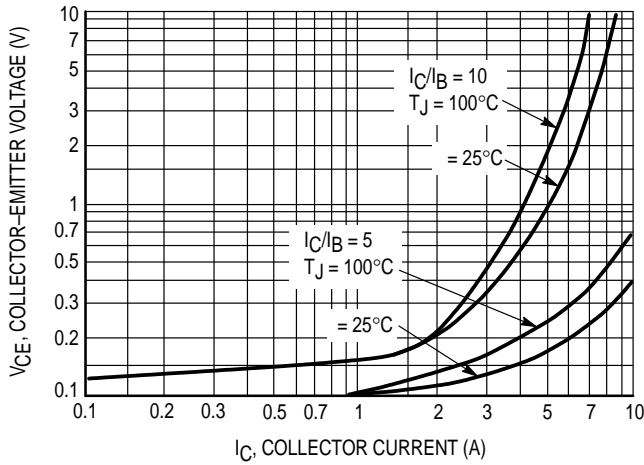


Figure 6. Typical Collector-Emitter Saturation Voltage

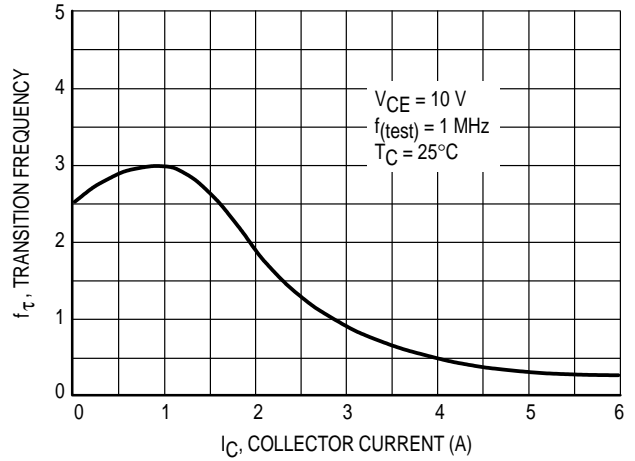


Figure 7. Typical Transition Frequency

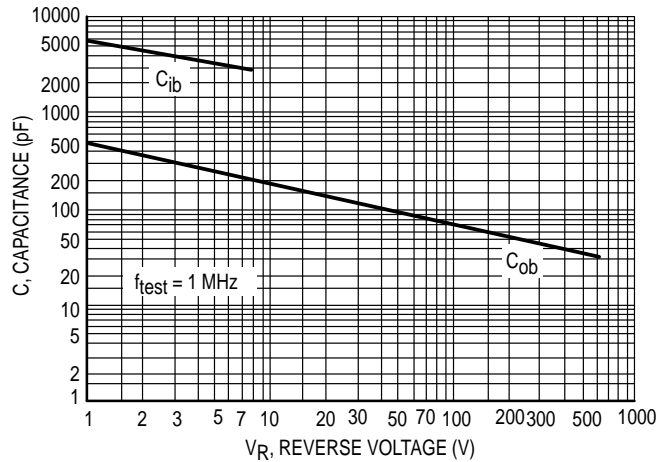


Figure 8. Typical Capacitance



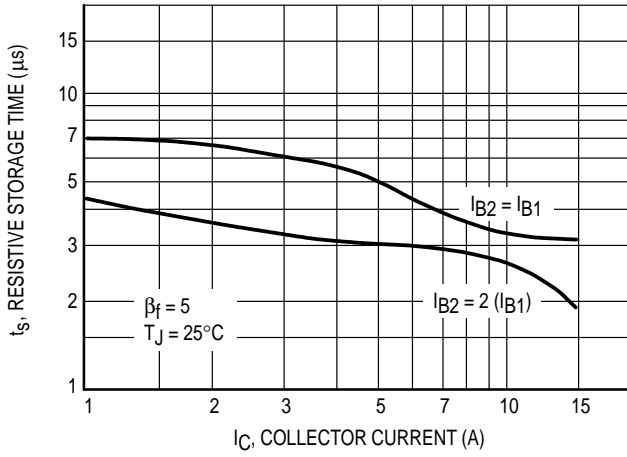


Figure 11. Typical Resistive Storage Time

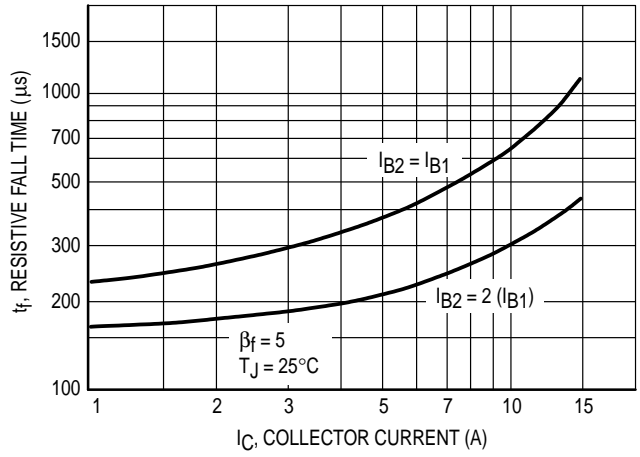


Figure 12. Typical Resistive Fall Time

Table 3. Resistive Load Switching

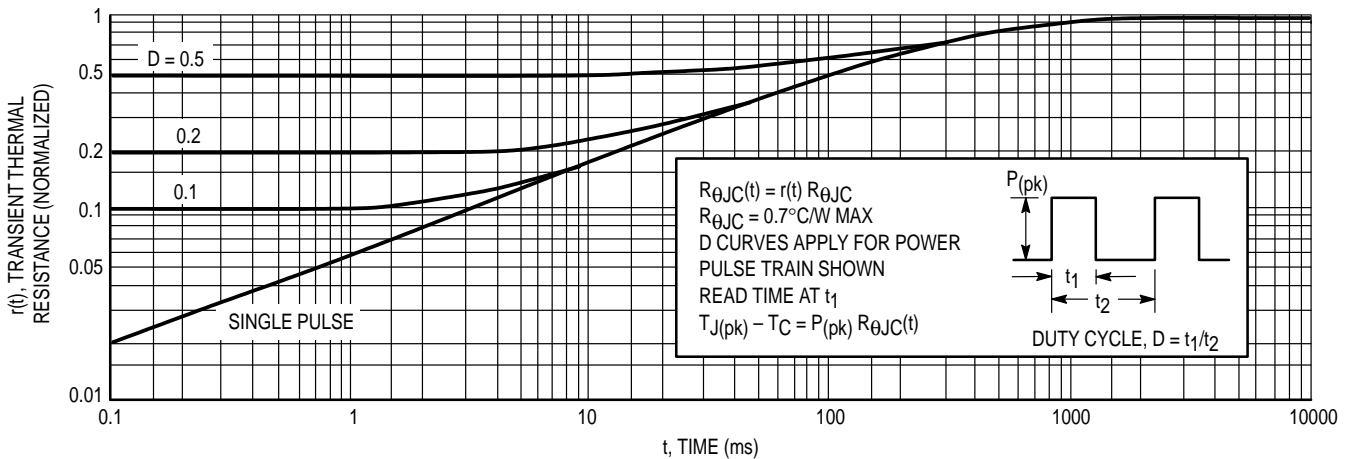
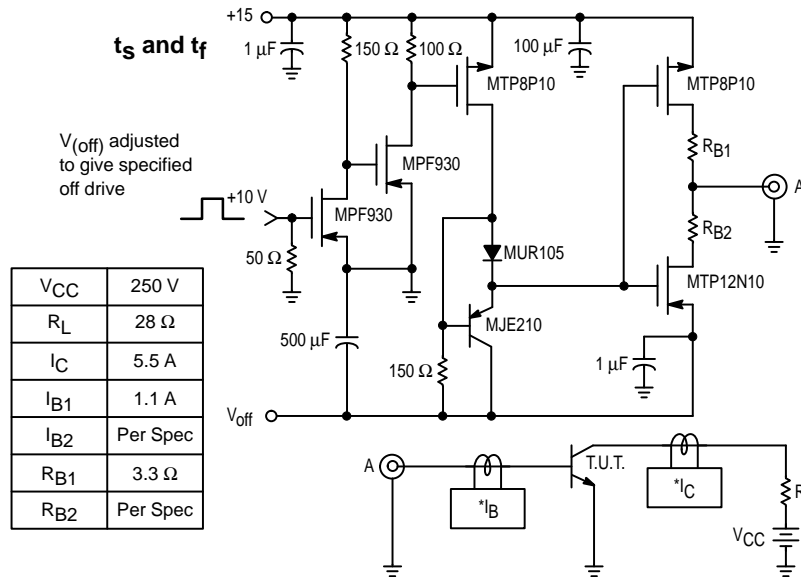


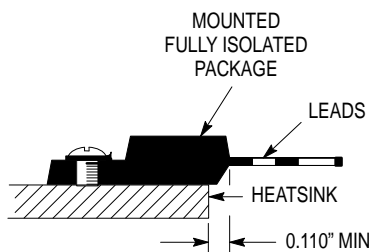
Figure 13. Thermal Response

**EMITTER-BASE TURN-OFF ENERGY,  $EB_{(off)}$**

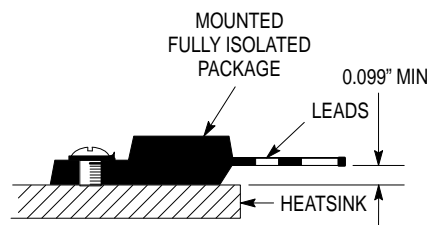
Emitter-base turn-off energy is a new specification included on the SCANSWITCH data sheets. Typical techniques for driving horizontal outputs rely on a pulse transformer to supply forward base current, and a turnoff network that includes a series base inductor to limit the rate of transition from forward to reverse. An alternate drive scheme has been used to characterize the SCANSWITCH series of devices (see Figure 2). This circuit ramps the base drive to eliminate the heavy overdrive at the beginning of the collector current ramp and underdrive just prior to turn-off observed in typical drive topologies. This high performance

drive has two additional important advantages. First, the configuration of T1 allows  $L_b$  to be placed outside the path of forward base current making it unnecessary to expend energy to reverse the current flow as in a series based inductor. Second, there is no base resistor to limit forward base current and hence no power loss associated with setting the value of the forward base current. The ramp generating process stores rather than dissipates energy. Tailoring the amount of energy stored in T1 to the amount of energy,  $EB_{(off)}$ , that is required to turn the output transistor off results in essentially lossless operation. [Note: B+ and the primary inductance of T1 ( $L_p$ ) are chosen such that  $1/2L_p I_b^2 = EB_{(off)}$ .]

**TEST CONDITIONS FOR ISOLATION TESTS\* (MJF16212 ONLY)**



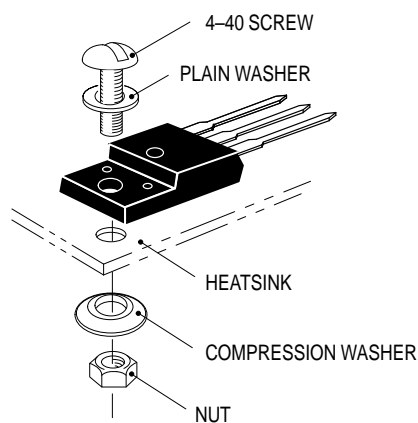
**Figure 14. Screw or Clip Mounting Position for Isolation Test Number 1**



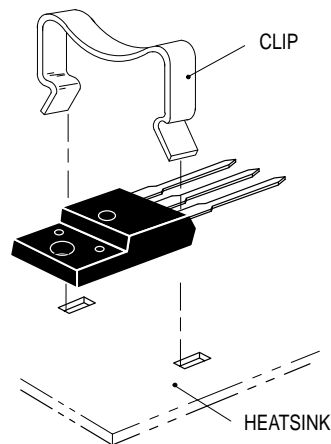
**Figure 15. Screw or Clip Mounting Position for Isolation Test Number 2**

\* Measurement made between leads and heatsink with all leads shorted together

**MOUNTING INFORMATION\*\* (MJF16212 ONLY)**



**Figure 16a. Screw-Mounted**



**Figure 16b. Clip-Mounted**

**Figure 16. Typical Mounting Techniques\***

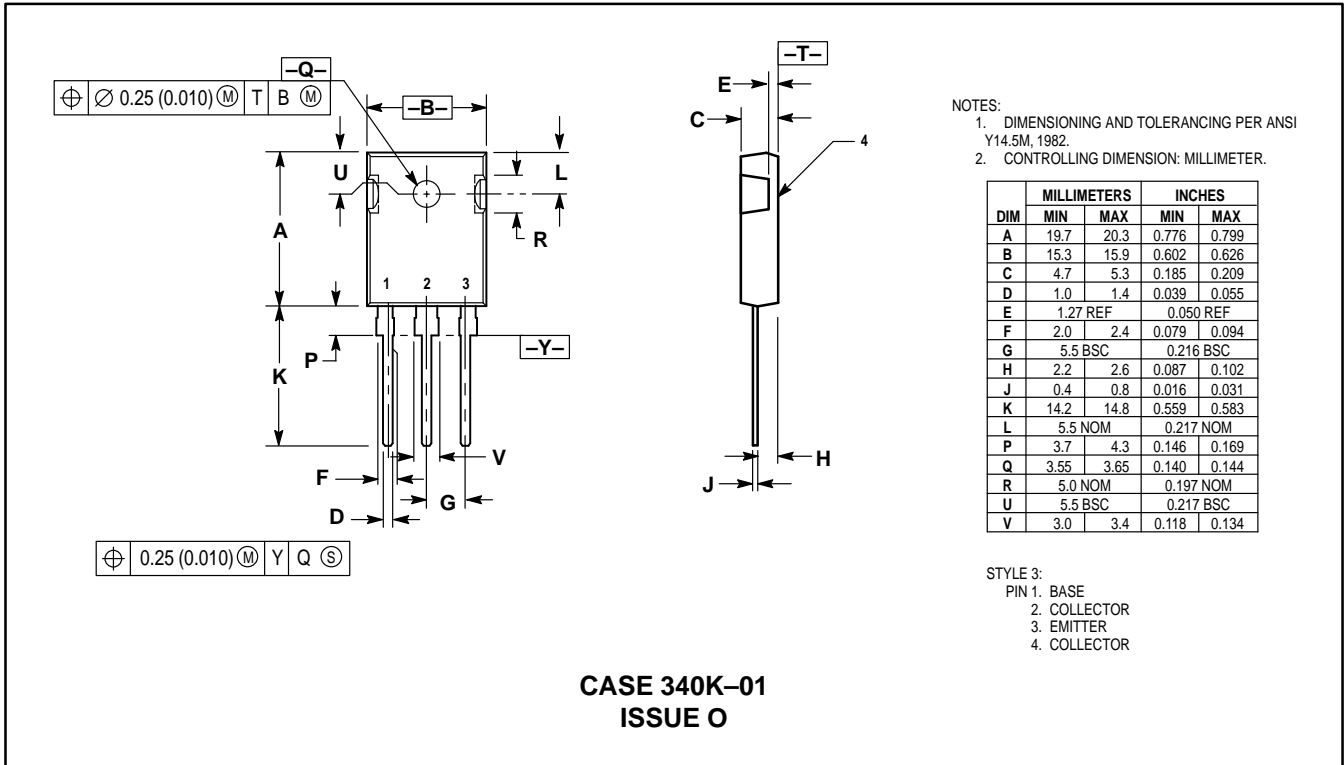
Laboratory tests on a limited number of samples indicate, when using the screw and compression washer mounting technique, a screw torque of 6 to 8 in · lbs is sufficient to provide maximum power dissipation capability. The compression washer helps to maintain a constant pressure on the package over time and during large temperature excursions.

Destructive laboratory tests show that using a hex head 4-40 screw, without washers, and applying a torque in excess of 20 in · lbs will cause the plastic to crack around the mounting hole, resulting in a loss of isolation capability.

Additional tests on slotted 4-40 screws indicate that the screw slot fails between 15 to 20 in · lbs without adversely affecting the package. However, in order to positively ensure the package integrity of the fully isolated device, Motorola does not recommend exceeding 10 in · lbs of mounting torque under any mounting conditions.

\*\* For more information about mounting power semiconductors see Application Note AN1040.

PACKAGE DIMENSIONS



Motorola reserves the right to make changes without further notice to any products herein. Motorola makes no warranty, representation or guarantee regarding the suitability of its products for any particular purpose, nor does Motorola assume any liability arising out of the application or use of any product or circuit, and specifically disclaims any and all liability, including without limitation consequential or incidental damages. "Typical" parameters which may be provided in Motorola data sheets and/or specifications can and do vary in different applications and actual performance may vary over time. All operating parameters, including "Typicals" must be validated for each customer application by customer's technical experts. Motorola does not convey any license under its patent rights nor the rights of others. Motorola products are not designed, intended, or authorized for use as components in systems intended for surgical implant into the body, or other applications intended to support or sustain life, or for any other application in which the failure of the Motorola product could create a situation where personal injury or death may occur. Should Buyer purchase or use Motorola products for any such unintended or unauthorized application, Buyer shall indemnify and hold Motorola and its officers, employees, subsidiaries, affiliates, and distributors harmless against all claims, costs, damages, and expenses, and reasonable attorney fees arising out of, directly or indirectly, any claim of personal injury or death associated with such unintended or unauthorized use, even if such claim alleges that Motorola was negligent regarding the design or manufacture of the part. Motorola and are registered trademarks of Motorola, Inc. Motorola, Inc. is an Equal Opportunity/Affirmative Action Employer.

**How to reach us:**

**USA/EUROPE/Locations Not Listed:** Motorola Literature Distribution; P.O. Box 20912; Phoenix, Arizona 85036. 1-800-441-2447 or 602-303-5454

**JAPAN:** Nippon Motorola Ltd.; Tatsumi-SPD-JLDC, 6F Seibu-Butsuryu-Center, 3-14-2 Tatsumi Koto-Ku, Tokyo 135, Japan. 03-81-3521-8315

**MFAX:** RMFAX0@email.sps.mot.com – TOUCHTONE 602-244-6609  
**INTERNET:** http://Design-NET.com

**ASIA/PACIFIC:** Motorola Semiconductors H.K. Ltd.; 8B Tai Ping Industrial Park, 51 Ting Kok Road, Tai Po, N.T., Hong Kong. 852-26629298

