

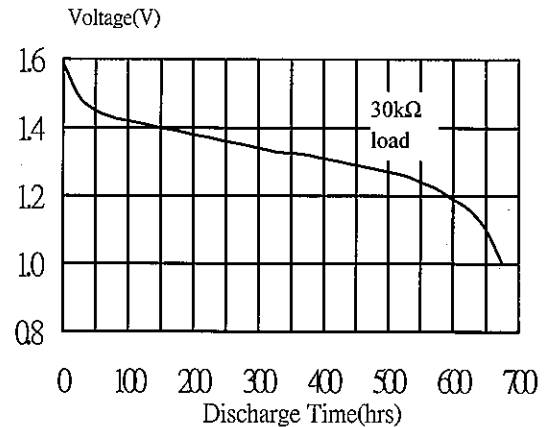
# MAXELL ASIA, LTD.

## Data Sheet

Model No.: LR41

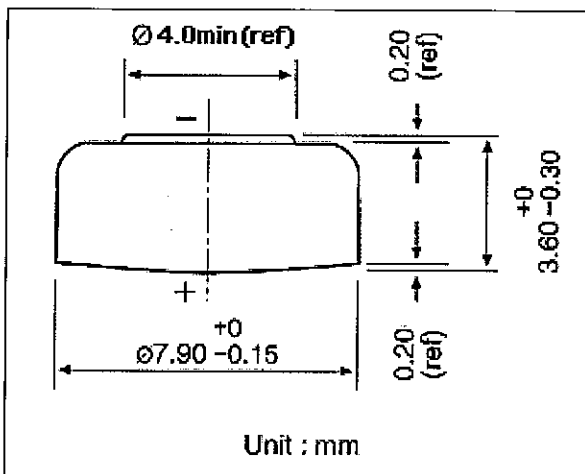
Type	: Alkaline Button Cell
Chemical System	: Alkaline Manganese Dioxide
Nominal Voltage	: 1.5Volts
Nominal Dimensions	: Ø7.9mm×3.6mm
Application	: Watch (with alarm and lamp), calculator, melody card, ... etc.
Average Weight	: 0.5g
Date Code	: Unless otherwise specified, each cell Will carry a numeric year code and an alphabetical month code.
Shelf Life	: Not less than 90% of the service capacity within first year. , not less than 85% of the service capacity with third year storage at 20 ± 2 °C 45-75%RH.
Close Circuit Voltage	: 1.30 Volts (min.)(load resistor 100Ω at 20 ± 2 °C for 0.1 to 2 seconds)
Nominal Service Life	: 900hrs (at 50 kΩ load) (to 1.0V at 20 ± 2 °C) 150 days (at 200 kΩ load)
Average Service Capacity	: 24mAh(at 30 kΩ load) (to 1.0V at 20 ± 2 °C)

Typical Discharge characteristics at 20 ± 2 °C



Cross References:

IEC	JIS	Eveready	Varta
LR41	LR41	192	V3GA



\* The information (subject to change without prior notice) contained in this document is for reference only and should not be used as a basis for product guarantee or warranty. For applications other than those described here, please consult your nearest Maxell Sales and Marketing Office or Distributors.