



APPLICATIONS

DC to DC converters boost
Amplifiers
Switching power supplies
TV and audio equipments

FEATURES

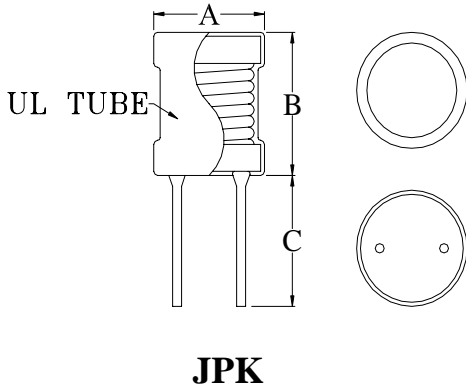
JPK series is applied for switching power supply with high reliability efficiency and saturation
High current rating for high current circuits
Designed by special lead wire to prevent open circuit failure

PRODUCT IDENTIFICATION

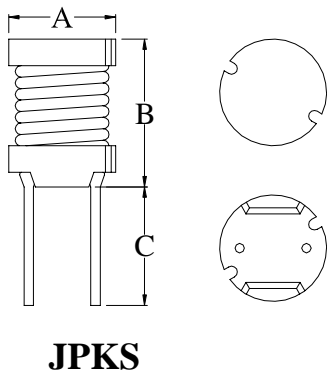
JPK 0608 – 100 K

Type | Size | Tolerance
S-Salient Inductance
3W-3 Lead Wires
A-Axial
RH-Shielding

DIMENSIONS (mm)

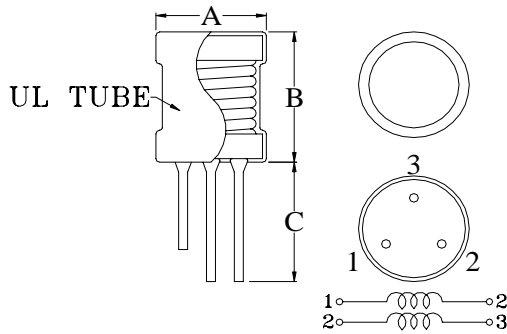


Part	A	B	C
JPK 0406	5.5 Max.	7.5 Max.	16.0 ± 3.0
JPK 0507	6.5 Max.	8.5 Max.	16.0 ± 3.0
JPK 0608	7.5 Max.	9.5 Max.	16.0 ± 3.0
JPK 0807	9.5 Max.	8.5 Max.	16.0 ± 3.0
JPK 0810	9.5 Max.	11.5 Max.	16.0 ± 3.0
JPK 0912	10.5 Max.	13.5 Max.	16.0 ± 3.0
JPK 1010	11.5 Max.	11.5 Max.	16.0 ± 3.0
JPK 1012	11.5 Max.	13.5 Max.	16.0 ± 3.0
JPK 1016	11.5 Max.	17.5 Max.	16.0 ± 3.0
JPK 1216	13.5 Max.	17.5 Max.	16.0 ± 3.0
JPK 1415	15.5 Max.	16.5 Max.	16.0 ± 3.0
JPK 1618	17.5 Max.	19.5 Max.	16.0 ± 3.0



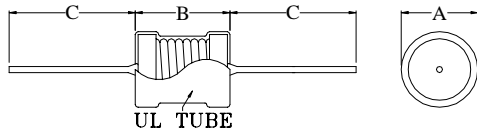
Part	A	B	C
JPKS 0608	6.0 ± 0.5	8.0 ± 0.5	16.0 ± 3.0
JPKS 0807	8.0 ± 0.5	7.0 ± 0.5	16.0 ± 3.0
JPKS 0810	8.0 ± 0.5	10.0 ± 0.5	16.0 ± 3.0
JPKS 1008	10.0 ± 0.5	8.0 ± 0.5	16.0 ± 3.0
JPKS 1010	10.0 ± 0.5	10.0 ± 0.5	16.0 ± 3.0
JPKS 1012	10.0 ± 0.5	12.0 ± 0.5	16.0 ± 3.0
JPKS 1016	10.0 ± 0.5	16.0 ± 0.5	16.0 ± 3.0
JPKS 1215	12 ± 0.5	15.0 ± 3.0	16.0 ± 3.0

DIMENSIONS (mm)



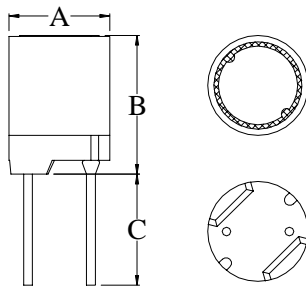
JPK3W

Part	A	B	C
JPK3W 0608	7.5 Max.	8.0 Max.	16.0 ± 3.0
JPK3W 0810	9.5 Max.	12.5 Max.	16.0 ± 3.0
JPK3W 0912	10.5 Max.	13.5 Max.	16.0 ± 3.0



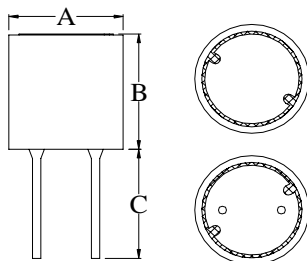
JPKA

Part	A	B	C
JPKA 0308	4.5 Max.	9.5 Max.	25.0 Min.
JPKA 0410	5.5 Max.	11.5 Max.	25.0 Min.
JPKA 0510	6.5 Max.	11.5 Max.	25.0 Min.
JPKA 0608	7.5 Max.	9.5 Max.	25.0 Min.
JPKA 0612	7.5 Max.	13.5 Max.	25.0 Min.
JPKA 0615	7.5 Max.	16.5 Max.	25.0 Min.
JPKA 0810	9.5 Max.	11.5 Max.	25.0 Min.
JPKA 1020	11.5 Max.	21.5 Max.	25.0 Min.



JPKRH 0807 RI CORE

Part	A	B	C
JPKRH 0807	8.5 Max.	7.5 Max.	5.0 ± 1.0



Part	A	B	C
JPKRH 1715	17.0 Max.	15.0 Max.	5.0 ± 1.0
JPKRH 1718	17.0 Max.	18.0 Max.	3.2 ± 1.0
JPKRH 1215	13.0 Max.	16.0 Max.	5.0 ± 1.0