

# Optoelectronic devices

## Coupling devices

Type	Fig. Nr.	Maximum ratings						Characteristics			
		Emitter		Receiver			$U_{is}$ V	$k$ at $I_F$ mA	$t_r$ at $I_F = 10$ mA $\mu s$	$t_f$ $\mu s$	
$I_F$ mA	$P_V^{1)}$ mW	$I_C$ mA	$U_{CEO}$ V	$P_V^{1)}$ mW	$U_{is}$ V						
CNY 18	38	60	100	150	32	150	500	> 0,25	10	1,6	1,7
CNY 21	39	50	120	50	32	130	10.000	0,5	10	1,6	1,7
CNY 24	40	50	120	50	32	130	10.000	1,0	30	1,6	1,7
CNY 36 <sup>2)</sup>	42	60	100	100	32	150	-	0,04	20	2,5	3,3
CNY 37 <sup>2)</sup>	43	60	100	100	32	150	-	0,04	20	2,5	3,3
CQY 80	41	60	100	50	32	150	4400	0,6	10	1,6	1,7

Remarks: <sup>1)</sup>  $t_{amb} = 25^\circ C$ ; <sup>2)</sup> Interrupter modules

Data book reference: S 8 A ○ Can be delivered as "Qualified semiconductor device"

## Photo-threshold switch (see also Integrated circuits)

Type	Case	Fig. Nr.	Maximum ratings		Characteristics			
			$P_{tot}$ mW	$I_C$ mA	$\lambda_p$ nm	$E_{A(TO)}$ lx	$t_r$ ns	$t_f$ ns
U 102 P	MO 002	44	400	70	660	5	100	100

## Photo pulse amplifier (see also Integrated circuits)

Type	Case	Fig. Nr.	Maximum ratings		Characteristics			
			$P_{tot}$ mW	$I_Q$ mA	$\lambda_p$ nm	$\lambda_{0,5}$ nm	$A_{uo}$ dB	$U_q/U_{nq}$ dB
U 123 P	DIP 6-lead	45	210	10	840	620 ... 970	94	15

Data book reference: S 8 A

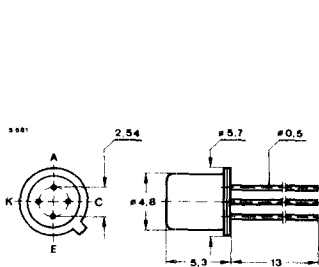


Fig. 38: 18 A 4 DIN 41 876  
JEDEC TO 72

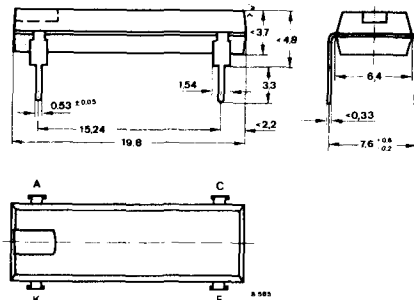


Fig. 39:  $\approx 20$  A 14 DIN 41 866  
 $\approx$  JEDEC TO 116

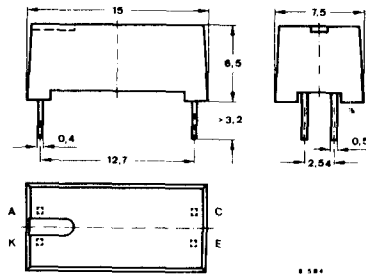


Fig. 40: Plastic case

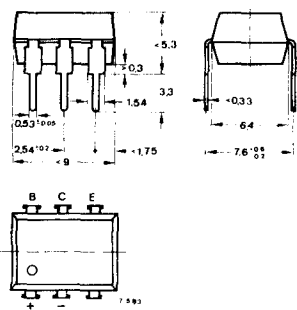


Fig. 41: DIP 6-lead

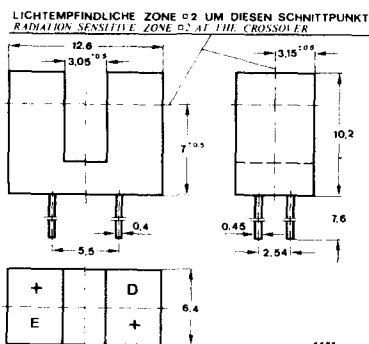


Fig. 42: Plastic case

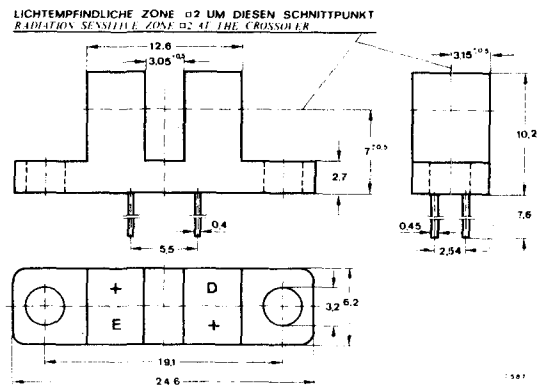


Fig. 43: Plastic case

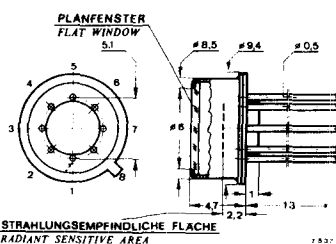


Fig. 44: 5 G 8 DIN 41 873  
JEDEC MO 002 AG

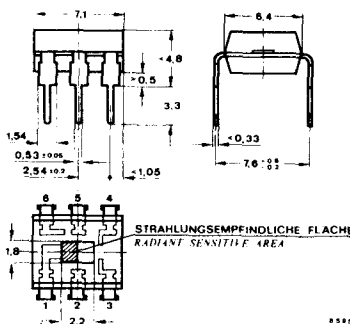


Fig. 45: Plastic case