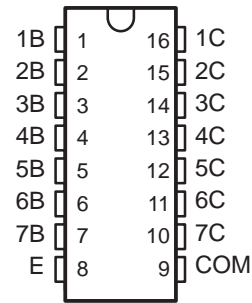


HIGH-VOLTAGE HIGH-CURRENT DARLINGTON TRANSISTOR ARRAYS

- 500-mA Rated Collector Current (Single Output)
- High-Voltage Outputs . . . 100 V
- Output Clamp Diodes
- Inputs Compatible With Various Types of Logic
- Relay Driver Applications
- Higher-Voltage Versions of ULN2003A and ULN2004A, for Commercial Temperature Range

D OR N PACKAGE
(TOP VIEW)

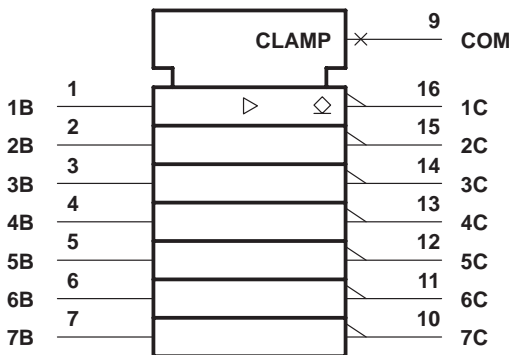


description

The SN75468 and SN75469 are monolithic high-voltage, high-current Darlington transistor arrays. Each consists of seven npn Darlington pairs that feature high-voltage outputs with common-cathode clamp diodes for switching inductive loads. The collector-current rating of each Darlington pair is 500 mA. The Darlington pairs may be paralleled for higher current capability. Applications include relay drivers, hammer drivers, lamp drivers, display drivers (LED and gas discharge), line drivers, and logic buffers.

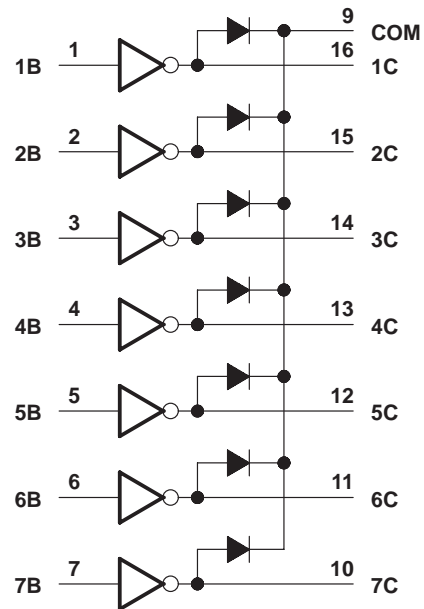
The SN75468 has a 2700- Ω series base resistor for each Darlington pair for operation directly with TTL or 5-V CMOS. The SN75469 has a 10.5-k Ω series base resistor to allow its operation directly with CMOS or PMOS that use supply voltages of 6 to 15 V. The required input current is below that of the SN75468.

logic symbol†



† This symbol is in accordance with ANSI/IEEE Std91-1984 and IEC publication 617-12.

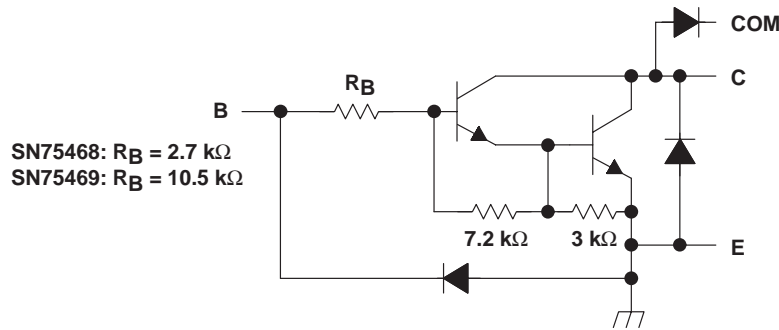
logic diagram



SN75468, SN75469 DARLINGTON TRANSISTOR ARRAYS

SLRS023B – DECEMBER 1976 – REVISED SEPTEMBER 1995

schematic (each Darlington pair)



All resistor values shown are nominal.

absolute maximum ratings at 25°C free-air temperature (unless otherwise noted)

| | |
|--|------------------------------|
| Collector-emitter voltage, V_{CE} | 100 V |
| Input voltage, V_I (see Note 1) | 30 V |
| Peak collector current (see Figures 14 and 15) | 500 mA |
| Output clamp current, I_{OK} | 500 mA |
| Total emitter-terminal current | -2.5 A |
| Continuous total power dissipation | See Dissipation Rating Table |
| Operating free-air temperature range, T_A | 0°C to 70°C |
| Storage temperature range, T_{stg} | -65°C to 150°C |
| Lead temperature 1,6 mm (1/16 inch) from case for 10 seconds | 260°C |

NOTE 1: All voltage values are with respect to the emitter/substrate terminal E, unless otherwise noted.

DISSIPATION RATING TABLE

| PACKAGE | $T_A \leq 25^\circ\text{C}$ POWER RATING | DERATING FACTOR ABOVE $T_A = 25^\circ\text{C}$ | $T_A = 70^\circ\text{C}$ POWER RATING |
|---------|---|---|--|
| D | 950 mW | 7.6 mW/°C | 608 mW |
| N | 1150 mW | 9.2 mW/°C | 736 mW |

electrical characteristics, $T_A = 25^\circ\text{C}$ (unless otherwise noted)

| PARAMETER | TEST FIGURE | TEST CONDITIONS | | SN75468 | | | SN75469 | | | UNIT |
|---|-------------|--|-----------------------|---------|-----|------|---------|---------------|---------------|------|
| | | | | MIN | TYP | MAX | MIN | TYP | MAX | |
| $V_{I(\text{on})}$ On-state input voltage | 5 | $V_{CE} = 2\text{ V}$ | $I_C = 125\text{ mA}$ | | | | | | 5 | V |
| | | | $I_C = 200\text{ mA}$ | | | 2.4 | | | 6 | |
| | | | $I_C = 250\text{ mA}$ | | | 2.7 | | | | |
| | | | $I_C = 275\text{ mA}$ | | | | | | 7 | |
| | | | $I_C = 300\text{ mA}$ | | | 3 | | | | |
| | | | $I_C = 350\text{ mA}$ | | | | | | 8 | |
| $V_{CE(\text{sat})}$ Collector-emitter saturation voltage | 6 | $I_I = 250\text{ }\mu\text{A}$, $I_C = 100\text{ mA}$ | 0.9 | 1.1 | | 0.9 | 1.1 | | V | |
| | | $I_I = 350\text{ }\mu\text{A}$, $I_C = 200\text{ mA}$ | 1 | 1.3 | | 1 | 1.3 | | | |
| | | $I_I = 500\text{ }\mu\text{A}$, $I_C = 350\text{ mA}$ | 1.2 | 1.6 | | 1.2 | 1.6 | | | |
| V_F Clamp-diode forward voltage | 8 | $I_F = 350\text{ mA}$ | 1.7 | 2 | | 1.7 | 2 | V | | |
| I_{CEX} Collector cutoff current | 1 | $V_{CE} = 100\text{ V}$, $I_I = 0$ | | | 50 | | | 50 | μA | |
| | 2 | $V_{CE} = 100\text{ V}$, $T_A = 70^\circ\text{C}$, $V_I = 1\text{ V}$ | | | 100 | | | 100 | | |
| $I_{I(\text{off})}$ Off-state input current | 3 | $V_{CE} = 50\text{ V}$, $T_A = 70^\circ\text{C}$, $I_C = 500\text{ }\mu\text{A}$ | 50 | 65 | | 50 | 65 | μA | | |
| I_I Input current | 4 | $V_I = 3.85\text{ V}$ | 0.93 | 1.35 | | | | | mA | |
| | | $V_I = 5\text{ V}$ | | | | 0.35 | 0.5 | | | |
| | | $V_I = 12\text{ V}$ | | | | 1 | 1.45 | | | |
| I_R Clamp-diode reverse current | 7 | $V_R = 100\text{ V}$ | | | 50 | | | 50 | μA | |
| | | $V_R = 100\text{ V}$, $T_A = 70^\circ\text{C}$ | | | 100 | | | 100 | | |
| C_i Input capacitance | | $V_I = 0$, $f = 1\text{ MHz}$ | 15 | 25 | | 15 | 25 | pF | | |

switching characteristics, $T_A = 25^\circ\text{C}$ free-air temperature

| PARAMETER | TEST CONDITIONS | MIN | TYP | MAX | UNIT |
|--|--|------------|------|-----|---------------|
| t_{PLH} Propagation delay time, low-to-high-level output | $V_S = 50\text{ V}$, $R_L = 163\text{ }\Omega$, $C_L = 15\text{ pF}$, See Figure 9 | | 0.25 | 1 | μs |
| t_{PHL} Propagation delay time, high-to-low-level output | | | 0.25 | 1 | μs |
| V_{OH} High-level output voltage after switching | $V_S = 50\text{ V}$, $I_O \approx 300\text{ mA}$, See Figure 10 | $V_S - 20$ | | | mV |

SN75468, SN75469 DARLINGTON TRANSISTOR ARRAYS

SLRS023B – DECEMBER 1976 – REVISED SEPTEMBER 1995

PARAMETER MEASUREMENT INFORMATION

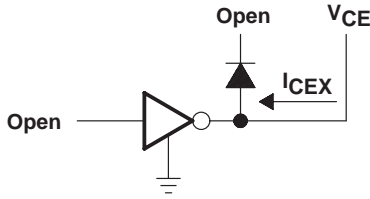


Figure 1. $I_{C EX}$

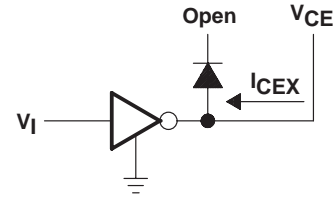


Figure 2. $I_{C EX}$

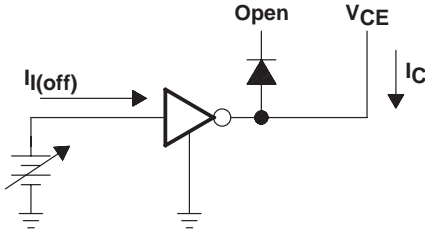


Figure 3. $I_{I(off)}$

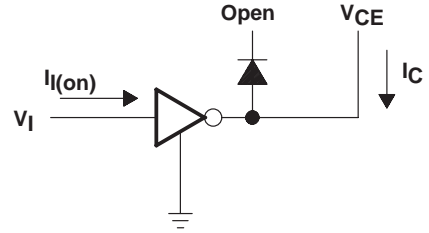


Figure 4. I_I

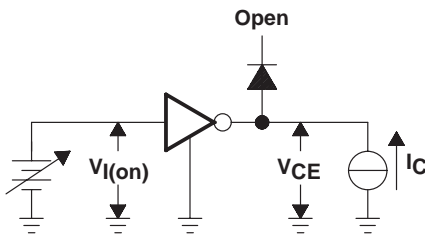
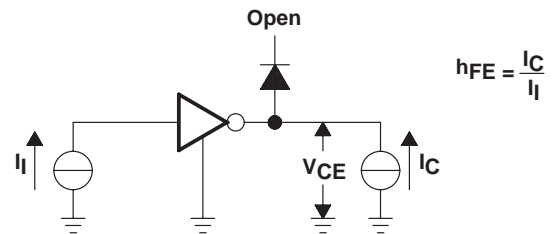


Figure 5. $V_{I(on)}$



NOTE: I_I is fixed for measuring $V_{CE(sat)}$, variable for measuring h_{FE} .

Figure 6. h_{FE} , $V_{CE(sat)}$

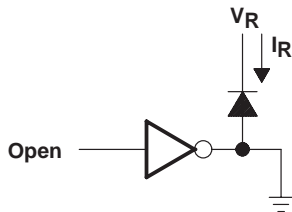


Figure 7. I_R

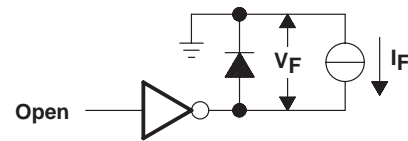


Figure 8. V_F

PARAMETER MEASUREMENT INFORMATION

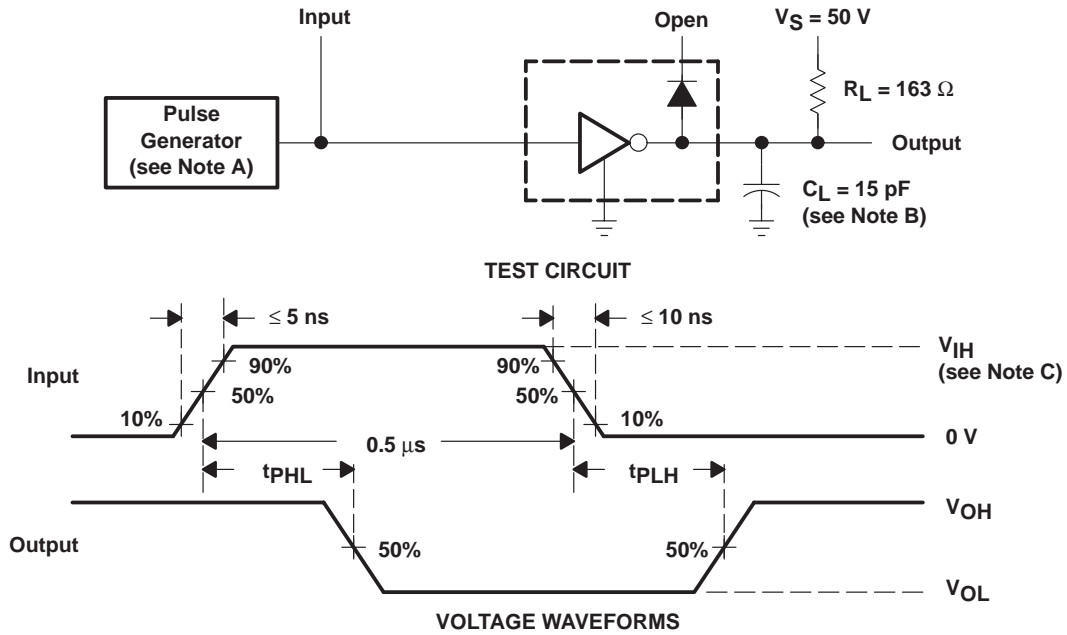


Figure 9. Test Circuit and Voltage Waveforms

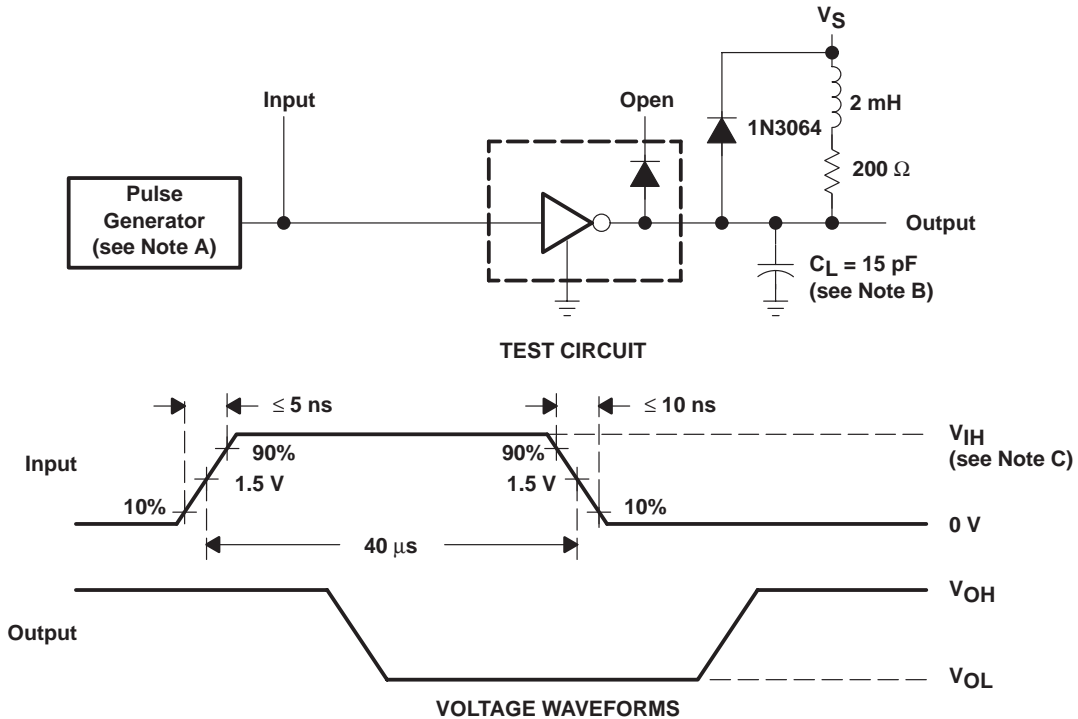


Figure 10. Latch-Up Test Circuit and Voltage Waveforms

- NOTES: A. The pulse generator has the following characteristics: PRR = 12.5 kHz, $Z_O = 50\ \Omega$.
 B. C_L includes probe and jig capacitance.
 C. For testing the '468, $V_{IH} = 3\text{ V}$; for the '469, $V_{IH} = 8\text{ V}$.

SN75468, SN75469 DARLINGTON TRANSISTOR ARRAYS

SLRS023B – DECEMBER 1976 – REVISED SEPTEMBER 1995

TYPICAL CHARACTERISTICS

COLLECTOR-EMITTER
SATURATION VOLTAGE
vs
COLLECTOR CURRENT
(ONE DARLINGTON)

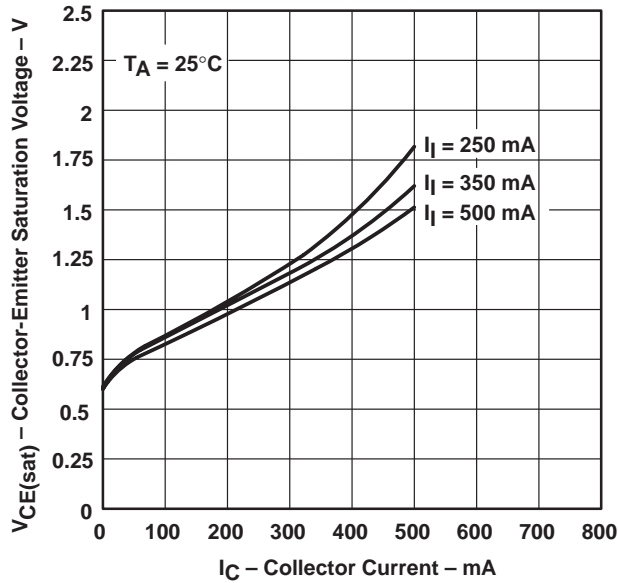


Figure 11

COLLECTOR-EMITTER
SATURATION VOLTAGE
vs
COLLECTOR CURRENT
(TWO DARLINGTONS PARALLELED)

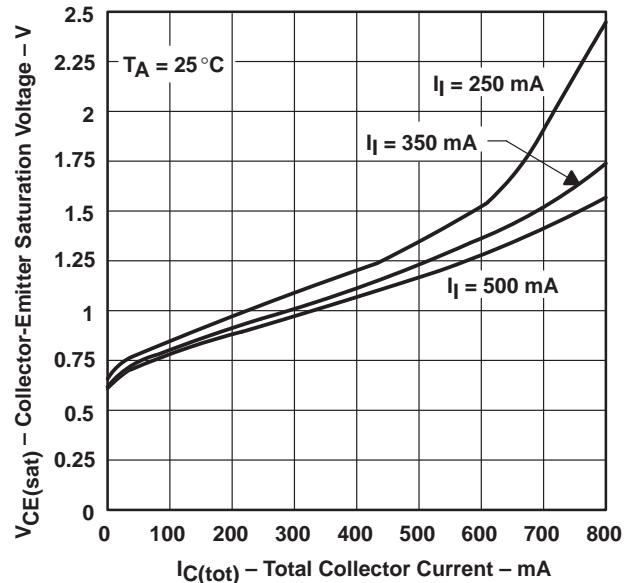


Figure 12

COLLECTOR CURRENT
vs
INPUT CURRENT

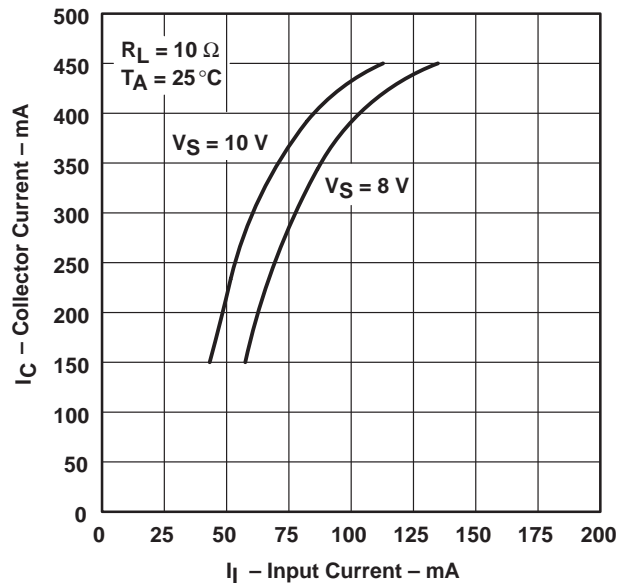


Figure 13

THERMAL INFORMATION

D PACKAGE
 MAXIMUM COLLECTOR CURRENT
 VS
 DUTY CYCLE

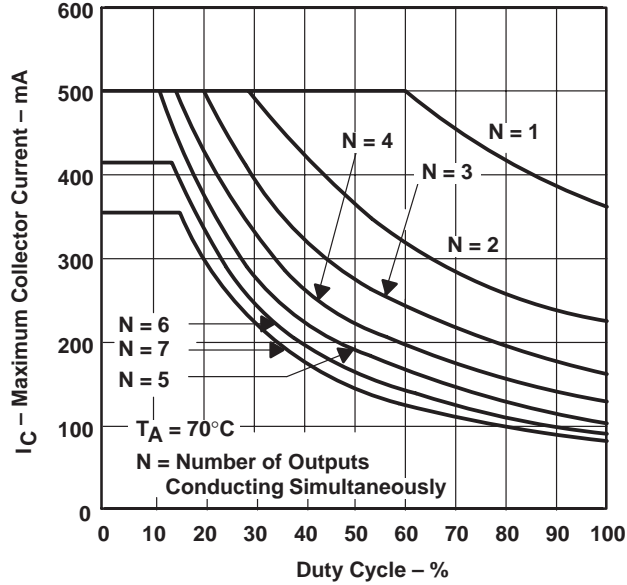


Figure 14

N PACKAGE
 MAXIMUM COLLECTOR CURRENT
 VS
 DUTY CYCLE

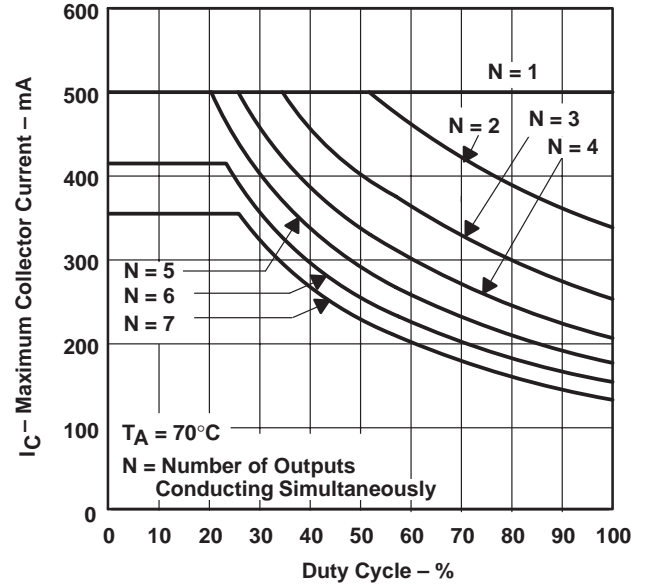


Figure 15

SN75468, SN75469 DARLINGTON TRANSISTOR ARRAYS

SLRS023B – DECEMBER 1976 – REVISED SEPTEMBER 1995

APPLICATION INFORMATION

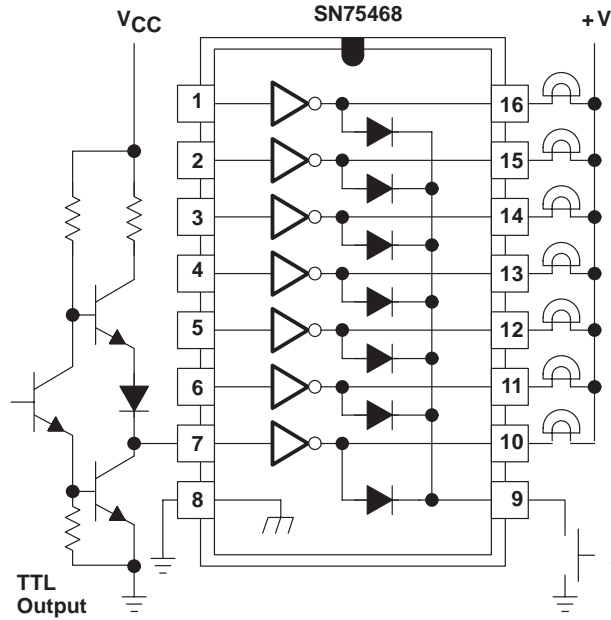


Figure 16. TTL to Load

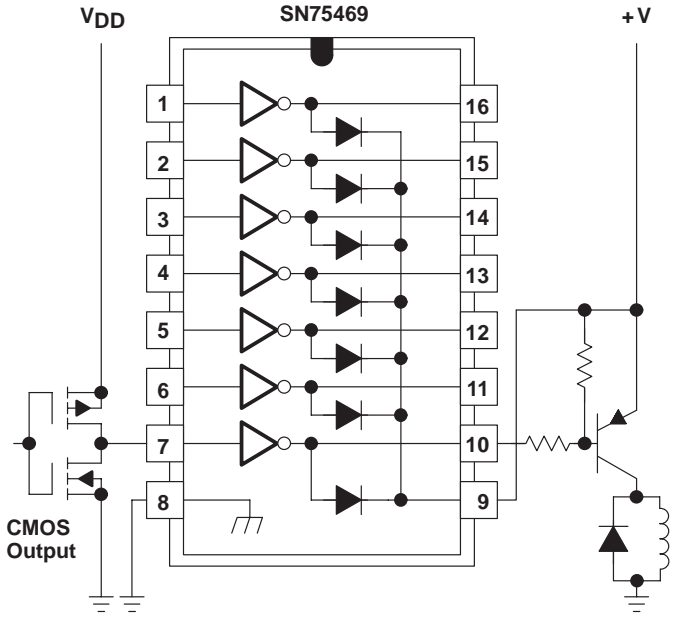


Figure 17. Buffer for Higher Current Loads

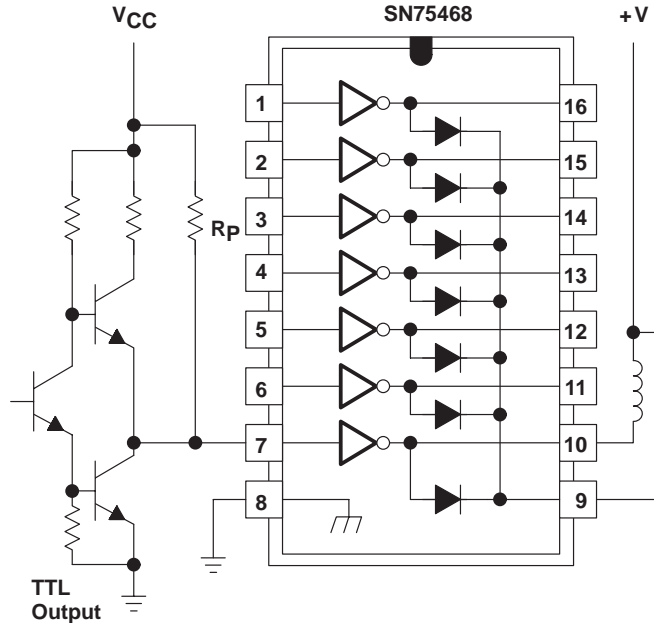


Figure 18. Use of Pullup Resistors to Increase Drive Current

IMPORTANT NOTICE

Texas Instruments and its subsidiaries (TI) reserve the right to make changes to their products or to discontinue any product or service without notice, and advise customers to obtain the latest version of relevant information to verify, before placing orders, that information being relied on is current and complete. All products are sold subject to the terms and conditions of sale supplied at the time of order acknowledgement, including those pertaining to warranty, patent infringement, and limitation of liability.

TI warrants performance of its semiconductor products to the specifications applicable at the time of sale in accordance with TI's standard warranty. Testing and other quality control techniques are utilized to the extent TI deems necessary to support this warranty. Specific testing of all parameters of each device is not necessarily performed, except those mandated by government requirements.

CERTAIN APPLICATIONS USING SEMICONDUCTOR PRODUCTS MAY INVOLVE POTENTIAL RISKS OF DEATH, PERSONAL INJURY, OR SEVERE PROPERTY OR ENVIRONMENTAL DAMAGE ("CRITICAL APPLICATIONS"). TI SEMICONDUCTOR PRODUCTS ARE NOT DESIGNED, AUTHORIZED, OR WARRANTED TO BE SUITABLE FOR USE IN LIFE-SUPPORT DEVICES OR SYSTEMS OR OTHER CRITICAL APPLICATIONS. INCLUSION OF TI PRODUCTS IN SUCH APPLICATIONS IS UNDERSTOOD TO BE FULLY AT THE CUSTOMER'S RISK.

In order to minimize risks associated with the customer's applications, adequate design and operating safeguards must be provided by the customer to minimize inherent or procedural hazards.

TI assumes no liability for applications assistance or customer product design. TI does not warrant or represent that any license, either express or implied, is granted under any patent right, copyright, mask work right, or other intellectual property right of TI covering or relating to any combination, machine, or process in which such semiconductor products or services might be or are used. TI's publication of information regarding any third party's products or services does not constitute TI's approval, warranty or endorsement thereof.