

D2804, MARCH 1984—REVISED SEPTEMBER 1987

- Full-Carry Look-Ahead Across the Four Bits
- Systems Achieve Partial Look-Ahead Performance with the Economy of Ripple Carry
- Supply Voltage and Ground on Corner Pins to Simplify P-C Board Layout
- Package Options Include Plastic "Small Outline" Packages, Ceramic Chip Carriers, and Standard Plastic and Ceramic 300-mil DIPs
- Dependable Texas Instruments Quality and Reliability

description

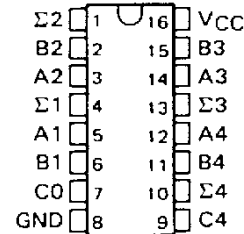
These improved full adders perform the addition of two 4-bit binary words. The sum (Σ) outputs are provided for each bit, and the resultant carry (C4) is obtained from the fourth bit.

These adders feature full internal look-ahead across all four bits generating the carry term. This capability provides the system designer with partial look-ahead performance at the economy and reduced package count of a ripple-carry implementation.

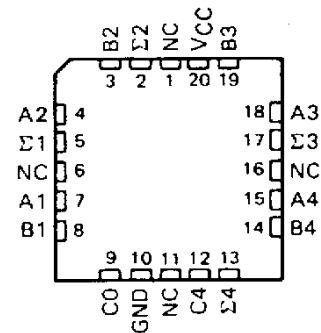
The adder logic, including the carry, is implemented in its true form. End around carry can be accomplished without the need for logic or level inversion.

The SN54HC283 is characterized for operation over the full military temperature range of -55°C to 125°C . The SN74HC283 is characterized for operation from -40°C to 85°C .

SN54HC283 . . . J PACKAGE
SN74HC283 . . . D OR N PACKAGE
(TOP VIEW)



SN54HC283 . . . FK PACKAGE
(TOP VIEW)



NC—No internal connection

PRODUCTION DATA documents contain information current as of publication date. Products conform to specifications per the terms of Texas Instruments standard warranty. Production processing does not necessarily include testing of all parameters.


TEXAS
INSTRUMENTS

POST OFFICE BOX 655012 • DALLAS, TEXAS 75265

Copyright © 1984, Texas Instruments Incorporated

SN54HC283, SN74HC283 4-BIT BINARY FULL ADDERS WITH FAST CARRY

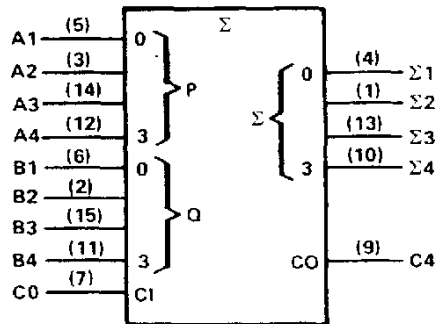
FUNCTION TABLE

INPUT				OUTPUT							
				WHEN C0 = L				WHEN C0 = H			
A1	B1	A2	B2	Σ1	Σ2	C2	Σ1	Σ2	C2		
A3	B3	A4	B4	Σ3	Σ4	C4	Σ3	Σ4	C4		
L	L	L	L	L	L	L	L	L	L		
H	L	L	L	H	L	L	L	H	L		
L	H	L	L	H	L	L	L	H	L		
H	H	L	L	L	H	L	H	H	L		
L	L	H	L	L	H	L	H	H	L		
H	L	H	L	H	H	L	L	L	H		
L	H	H	L	H	H	L	L	L	H		
H	H	H	L	L	L	H	H	L	H		
L	L	L	H	L	H	L	H	H	L		
H	L	L	H	H	H	L	L	L	H		
L	H	L	H	H	H	L	L	L	H		
H	H	L	H	L	L	H	H	L	H		
L	L	H	H	L	L	H	H	L	H		
H	L	H	H	H	L	H	L	H	H		
L	H	H	H	H	L	H	L	H	H		
H	H	H	H	L	H	H	H	H	H		

H = high level, L = low level

NOTE: Input conditions at A1, B1, A2, B2, and C0 are used to determine outputs Σ1 and Σ2 and the value of the internal carry C2. The values at C2, A3, B3, A4, and B4 are then used to determine outputs Σ3, Σ4, and C4.

logic symbol†

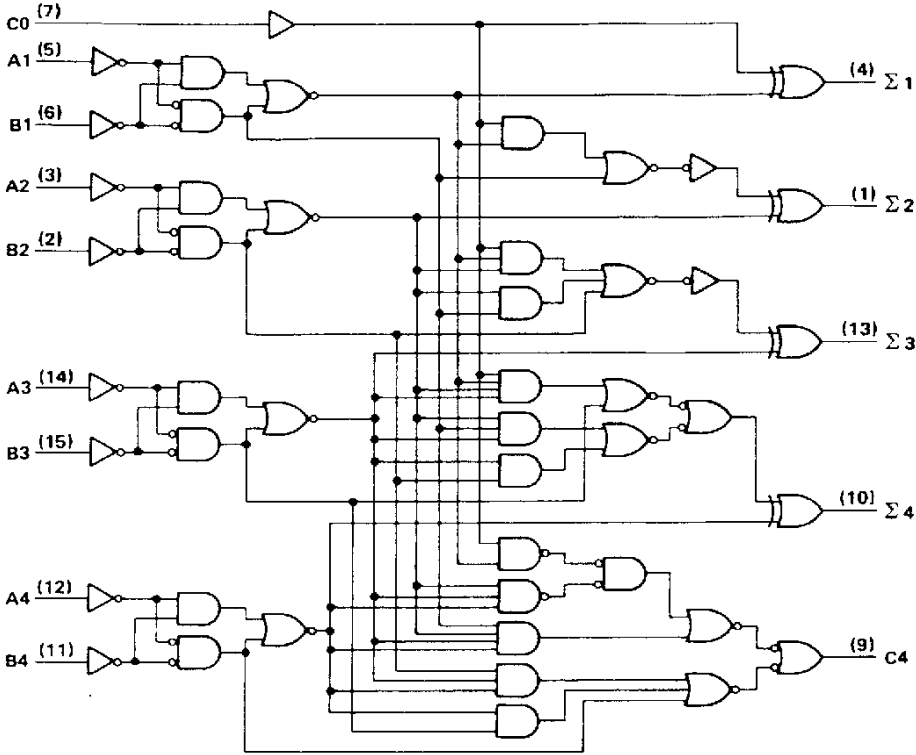


† This symbol is in accordance with ANSI/IEEE Std 91-1984 and IEC Publication 617-12.

Pin numbers shown are for D, J, and N packages.

SN54HC283, SN74HC283
4-BIT BINARY FULL ADDERS WITH FAST CARRY

logic diagram (positive logic)



Pin numbers shown are for D, J, and N packages.



POST OFFICE BOX 655012 • DALLAS, TEXAS 75265

SN54HC283, SN74HC283

4-BIT BINARY FULL ADDERS WITH FAST CARRY

absolute maximum ratings over operating free-air temperature range†

Supply voltage, V_{CC}	-0.5 V to 7 V
Input clamp current, I_{IK} ($V_I < 0$ or $V_I > V_{CC}$)	± 20 mA
Output clamp current, I_{OK} ($V_O < 0$ or $V_O > V_{CC}$)	± 20 mA
Continuous output current, I_O ($V_O = 0$ to V_{CC})	± 25 mA
Continuous current through V_{CC} or GND pins	± 50 mA
Lead temperature 1,6 mm (1/16 in) from case for 60 s: FK or J package	300°C
Lead temperature 1,6 mm (1/16 in) from case for 10 s: D or N package	260°C
Storage temperature range	-65°C to 150°C

†Stresses beyond those listed under "absolute maximum ratings" may cause permanent damage to the device. These are stress ratings only, and functional operation of the device at these or any other conditions beyond those indicated under "recommended operating conditions" is not implied. Exposure to absolute-maximum-rated conditions for extended periods may affect device reliability.

recommended operating conditions

		SN54HC283			SN74HC283			UNIT
		MIN	NOM	MAX	MIN	NOM	MAX	
V_{CC}	Supply voltage	2	5	6	2	5	6	V
V_{IH}	High-level input voltage	$V_{CC} = 2$ V		1.5	1.5		V	
		$V_{CC} = 4.5$ V		3.15	3.15			
		$V_{CC} = 6$ V		4.2	4.2			
V_{IL}	Low-level input voltage	$V_{CC} = 2$ V		0	0.3	0	0.3	V
		$V_{CC} = 4.5$ V		0	0.9	0	0.9	
		$V_{CC} = 6$ V		0	1.2	0	1.2	
V_I	Input voltage	0	V_{CC}		0	V_{CC}		V
V_O	Output voltage	0	V_{CC}		0	V_{CC}		V
t_t	Input transition (rise and fall) times	$V_{CC} = 2$ V		0	1000	0	1000	ns
		$V_{CC} = 4.5$ V		0	500	0	500	
		$V_{CC} = 6$ V		0	400	0	400	
T_A	Operating free-air temperature	-55	125		-40	85		°C

electrical characteristics over recommended operating free-air temperature range (unless otherwise noted)

PARAMETER	TEST CONDITIONS	V_{CC}	$T_A = 25^\circ\text{C}$			SN54HC283			SN74HC283			UNIT
			MIN	TYP	MAX	MIN	TYP	MAX	MIN	TYP	MAX	
V_{OH}	$V_I = V_{IH}$ or V_{IL} , $I_{OH} = -20 \mu\text{A}$	2 V	1.9	1.998		1.9		1.9			V	
		4.5 V	4.4	4.499		4.4		4.4				
		6 V	5.9	5.999		5.9		5.9				
V_{OL}	$V_I = V_{IH}$ or V_{IL} , $I_{OH} = -4 \text{ mA}$	4.5 V	3.98	4.30		3.7		3.84			V	
		6 V	5.48	5.80		5.2		5.34				
		6 V	5.48	5.80		5.2		5.34				
V_{OL}	$V_I = V_{IH}$ or V_{IL} , $I_{OL} = 20 \mu\text{A}$	2 V		0.002	0.1			0.1		0.1	V	
		4.5 V		0.001	0.1			0.1		0.1		
		6 V		0.001	0.1			0.1		0.1		
		4.5 V		0.17	0.26			0.4		0.33		
I_I	$V_I = V_{CC}$ or 0	6 V		± 0.1	± 100			± 1000		± 1000	nA	
		6 V						8		160	μA	
I_{CC}	$V_I = V_{CC}$ or 0, $I_O = 0$	6 V								80	μA	
C_i		2 to 6 V		3	10			10		10	pF	

TEXAS
INSTRUMENTS

POST OFFICE BOX 855012 • DALLAS, TEXAS 75265

SN54HC283, SN74HC283
4-BIT BINARY FULL ADDERS WITH FAST CARRY

switching characteristics over recommended operating free-air temperature range (unless otherwise noted), $C_L = 50$ pF (see Note 1)

PARAMETER	FROM (INPUT)	TO (OUTPUT)	V _{CC}	T _A = 25 °C			SN54HC283		SN74HC283		UNIT
				MIN	TYP	MAX	MIN	MAX	MIN	MAX	
t _{pd}	C0	Any Σ	2 V	60	150		225		188	ns	
			4.5 V	20	30		45		37		
			6 V	16	26		38		32		
t _{pd}	A _i or B _i	Σ _i	2 V	80	175		262		218	ns	
			4.5 V	25	35		52		44		
			6 V	20	30		45		37		
t _{pd}	C0	C4	2 V	70	175		262		218	ns	
			4.5 V	25	35		52		44		
			6 V	20	30		45		37		
t _{pd}	A _i or B _i	C4	2 V	90	175		262		218	ns	
			4.5 V	26	35		52		44		
			6 V	21	30		45		37		
t _t		Any	2 V	28	75		110		95	ns	
			4.5 V	8	15		22		19		
			6 V	6	13		19		16		

C _{pd}	Power dissipation capacitance	No load, T _A = 25 °C	90 pF typ
-----------------	-------------------------------	---------------------------------	-----------

NOTE 1: Load circuit and voltage waveforms are shown in Section 1.



POST OFFICE BOX 655012 • DALLAS, TEXAS 75265

IMPORTANT NOTICE

Texas Instruments and its subsidiaries (TI) reserve the right to make changes to their products or to discontinue any product or service without notice, and advise customers to obtain the latest version of relevant information to verify, before placing orders, that information being relied on is current and complete. All products are sold subject to the terms and conditions of sale supplied at the time of order acknowledgement, including those pertaining to warranty, patent infringement, and limitation of liability.

TI warrants performance of its semiconductor products to the specifications applicable at the time of sale in accordance with TI's standard warranty. Testing and other quality control techniques are utilized to the extent TI deems necessary to support this warranty. Specific testing of all parameters of each device is not necessarily performed, except those mandated by government requirements.

CERTAIN APPLICATIONS USING SEMICONDUCTOR PRODUCTS MAY INVOLVE POTENTIAL RISKS OF DEATH, PERSONAL INJURY, OR SEVERE PROPERTY OR ENVIRONMENTAL DAMAGE ("CRITICAL APPLICATIONS"). TI SEMICONDUCTOR PRODUCTS ARE NOT DESIGNED, AUTHORIZED, OR WARRANTED TO BE SUITABLE FOR USE IN LIFE-SUPPORT DEVICES OR SYSTEMS OR OTHER CRITICAL APPLICATIONS. INCLUSION OF TI PRODUCTS IN SUCH APPLICATIONS IS UNDERSTOOD TO BE FULLY AT THE CUSTOMER'S RISK.

In order to minimize risks associated with the customer's applications, adequate design and operating safeguards must be provided by the customer to minimize inherent or procedural hazards.

TI assumes no liability for applications assistance or customer product design. TI does not warrant or represent that any license, either express or implied, is granted under any patent right, copyright, mask work right, or other intellectual property right of TI covering or relating to any combination, machine, or process in which such semiconductor products or services might be or are used. TI's publication of information regarding any third party's products or services does not constitute TI's approval, warranty or endorsement thereof.