

# DATA SHEET

## **74ALS244A/74ALS244A-1** Octal buffer (3-State)

Product specification  
IC05 Data Handbook

1991 Feb 08

# Octal buffer (3-State)

# 74ALS244A/74ALS244A-1

## FEATURES

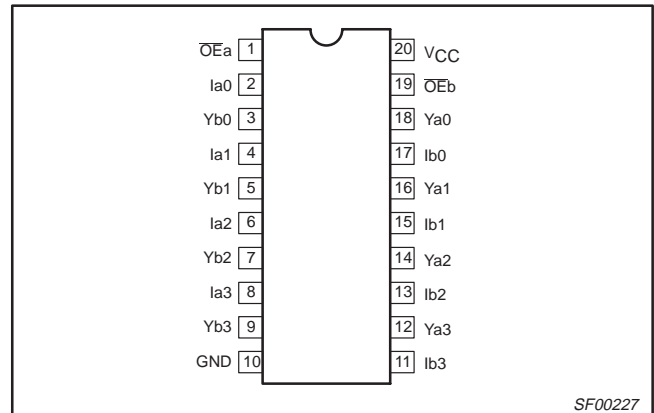
- Octal bus interface
- 3-State buffer outputs sink 24mA and source 15mA
- The -1 version sinks 48mA

## DESCRIPTION

The 74ALS244A is an octal buffer that is ideal for driving bus lines or buffer memory address registers. The outputs are all capable of sinking 24mA and sourcing up to 15mA, producing very good capacitive drive characteristics. The device features two output enables,  $\overline{OE}a$  and  $\overline{OE}b$ , each controlling four of the 3-State outputs.

The 74ALS244A-1 sinks 48 mA  $I_{OL}$  if the  $V_{CC}$  is limited to 5.0V  $\pm 0.25V$ .

## PIN CONFIGURATION



TYPE	TYPICAL PROPAGATION DELAY	TYPICAL SUPPLY CURRENT (TOTAL)
74ALS244A	4.5ns	17mA
74ALS244A-1	4.5ns	17mA

## ORDERING INFORMATION

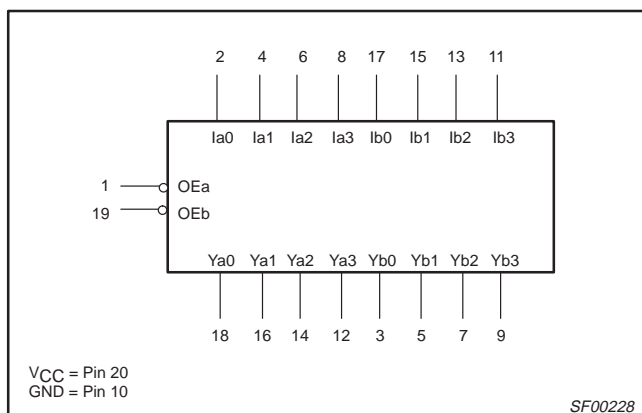
DESCRIPTION	ORDER CODE	DRAWING NUMBER
	COMMERCIAL RANGE $V_{CC} = 5V \pm 10\%$ , $T_{amb} = 0^{\circ}C$ to $+70^{\circ}C$	
20-pin plastic DIP	74ALS244AN, 74ALS244A-1N	SOT146-1
20-pin plastic SOL	74ALS244AD, 74ALS244A-1D	SOT163-1
20-pin plastic SSOP Type II	74ALS244ADB, 74ALS244A-1DB	SOT339-1

## INPUT AND OUTPUT LOADING AND FAN-OUT TABLE

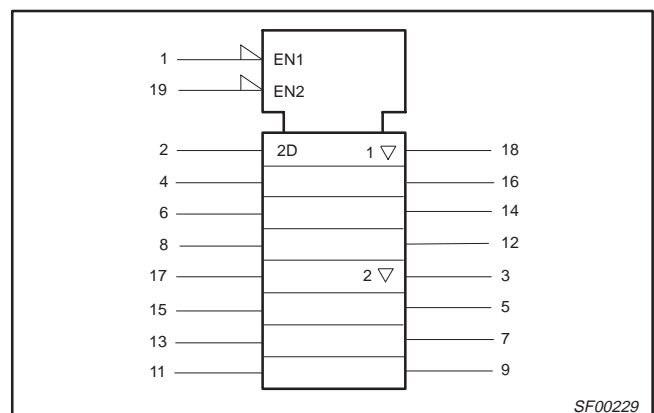
PINS	DESCRIPTION	74ALS (U.L.) HIGH/LOW	LOAD VALUE HIGH/LOW
Ian, Ibn	Data inputs	1.0/1.0	20 $\mu$ A/0.1mA
$\overline{OE}a$ , $\overline{OE}b$	Output Enable inputs (active-Low)	1.0/1.0	20 $\mu$ A/0.1mA
Yan, Ybn	Data outputs	750/240	15mA/24mA
Yan, Ybn	Data outputs (-1 version)	750/480	15mA/48mA

**NOTE:** One (1.0) ALS unit load is defined as: 20 $\mu$ A in the High state and 0.1mA in the Low state.

## LOGIC SYMBOL



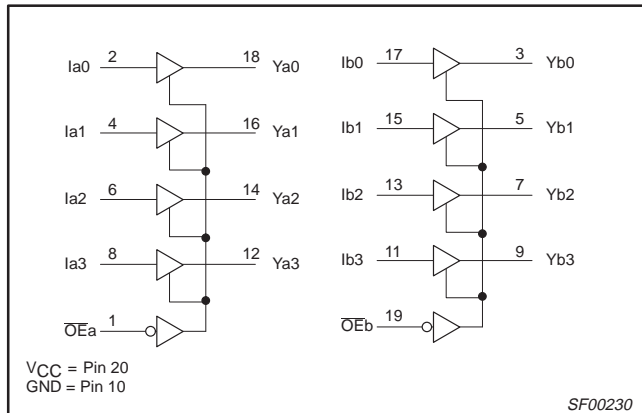
## IEC/IEEE SYMBOL



# Octal buffer (3-State)

# 74ALS244A/74ALS244A-1

## LOGIC DIAGRAM



## FUNCTION TABLE

INPUTS				OUTPUTS	
OEa	Ia	OEb	Ib	Ya	Yb
L	L	L	L	L	L
L	H	L	H	H	H
H	X	H	X	Z	Z

H = High voltage level  
 L = Low voltage level  
 X = Don't care  
 Z = High impedance "off" state

## ABSOLUTE MAXIMUM RATINGS

(Operation beyond the limit set forth in this table may impair the useful life of the device. Unless otherwise noted these limits are over the operating free air temperature range.)

SYMBOL	PARAMETER	RATING	UNIT
V <sub>CC</sub>	Supply voltage	-0.5 to +7.0	V
V <sub>IN</sub>	Input voltage	-0.5 to +7.0	V
I <sub>IN</sub>	Input current	-30 to +5	mA
V <sub>OUT</sub>	Voltage applied to output in High output state	-0.5 to V <sub>CC</sub>	V
I <sub>OUT</sub>	Current applied to output in Low output state	All versions	48
		-1 version	96
T <sub>amb</sub>	Operating free-air temperature range	0 to +70	°C
T <sub>stg</sub>	Storage temperature range	-65 to +150	°C

## RECOMMENDED OPERATING CONDITIONS

SYMBOL	PARAMETER	LIMITS			UNIT
		MIN	NOM	MAX	
V <sub>CC</sub>	Supply voltage	4.5	5.0	5.5	V
V <sub>IH</sub>	High-level input voltage	2.0			V
V <sub>IL</sub>	Low-level input voltage			0.8	V
I <sub>IK</sub>	Input clamp current			-18	mA
I <sub>OH</sub>	High-level output current			-15	mA
I <sub>OL</sub>	Low-level output current	All versions		24	mA
		-1 versions		48 <sup>1</sup>	mA
T <sub>amb</sub>	Operating free-air temperature range	0		+70	°C

### NOTES:

1. The 48mA limit applies only under the condition of V<sub>CC</sub> = 5.0V ± 5%.

## Octal buffer (3-State)

## 74ALS244A/74ALS244A-1

**DC ELECTRICAL CHARACTERISTICS**

(Over recommended operating free-air temperature range unless otherwise noted.)

SYMBOL	PARAMETER		TEST CONDITIONS <sup>1</sup>		LIMITS			UNIT	
					MIN	TYP <sup>2</sup>	MAX		
V <sub>OH</sub>	High-level output voltage		V <sub>CC</sub> ±10%, V <sub>IL</sub> = MAX, V <sub>IH</sub> = MIN	I <sub>OH</sub> = -0.4mA	V <sub>CC</sub> - 2			V	
				I <sub>OH</sub> = -3mA	2.4	3.2		V	
			V <sub>CC</sub> = MIN, V <sub>IL</sub> = MAX, V <sub>IH</sub> = MIN	I <sub>OH</sub> = -15mA	2.0			V	
V <sub>OL</sub>	Low-level output voltage	All versions	V <sub>CC</sub> = MIN, V <sub>IL</sub> = MAX, V <sub>IH</sub> = MIN	I <sub>OL</sub> = 12mA		0.25	0.40	V	
				I <sub>OL</sub> = 24mA		0.35	0.50	V	
		-1 version	V <sub>CC</sub> = 4.75V, V <sub>IL</sub> = MAX, V <sub>IH</sub> = MIN	I <sub>OL</sub> = 48mA		0.35	0.50	V	
V <sub>IK</sub>	Input clamp voltage		V <sub>CC</sub> = MIN, I <sub>I</sub> = I <sub>IK</sub>			-0.73	-1.5	V	
I <sub>I</sub>	Input current at maximum input voltage		V <sub>CC</sub> = MAX, V <sub>I</sub> = 7.0V				0.1	mA	
I <sub>IH</sub>	High-level input current		V <sub>CC</sub> = MAX, V <sub>I</sub> = 2.7V				20	μA	
I <sub>IL</sub>	Low-level input current		V <sub>CC</sub> = MAX, V <sub>I</sub> = 0.4V				-0.1	mA	
I <sub>OZH</sub>	Off-state output current, High-level voltage applied		V <sub>CC</sub> = MAX, V <sub>I</sub> = 2.7V				20	μA	
I <sub>OZL</sub>	Off-state output current, Low-level voltage applied		V <sub>CC</sub> = MAX, V <sub>I</sub> = 0.4V				-20	μA	
I <sub>O</sub>	Output current <sup>3</sup>		V <sub>CC</sub> = MAX, V <sub>O</sub> = 2.25V				-30	-112	mA
I <sub>CC</sub>	Supply current (total)	I <sub>CCH</sub>	V <sub>CC</sub> = MAX			6.5	15	mA	
		I <sub>CCCL</sub>				19.5	24	mA	
		I <sub>CCZ</sub>				25	30	mA	

**NOTES:**

- For conditions shown as MIN or MAX, use the appropriate value specified under recommended operating conditions for the applicable type.
- All typical values are at V<sub>CC</sub> = 5V, T<sub>amb</sub> = 25°C.
- The output conditions have been chosen to produce a current that closely approximates one half of the true short-circuit output current, I<sub>OS</sub>.

**AC ELECTRICAL CHARACTERISTICS**

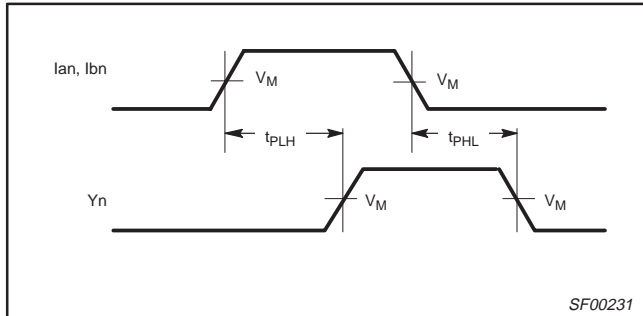
SYMBOL	PARAMETER		TEST CONDITION	LIMITS		UNIT
				T <sub>amb</sub> = 0°C to +70°C V <sub>CC</sub> = +5.0V ± 10% C <sub>L</sub> = 50pF, R <sub>L</sub> = 500Ω		
				MIN	MAX	
t <sub>PLH</sub> t <sub>PHL</sub>	Propagation delay In to Yn		Waveform 1	1.5 1.5	10.0 10.0	ns
t <sub>PZH</sub> t <sub>PZL</sub>	Output enable time to High or Low level		Waveform 2 Waveform 3	1.0 2.5	10.0 12.0	ns
t <sub>PHZ</sub> t <sub>PLZ</sub>	Output disable time from High or Low level		Waveform 2 Waveform 3	2.5 2.5	10.0 12.0	ns

# Octal buffer (3-State)

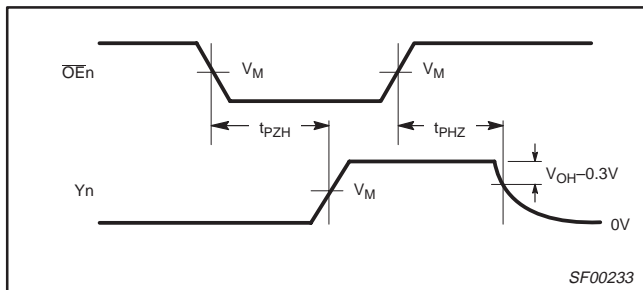
# 74ALS244A/74ALS244A-1

## AC WAVEFORMS

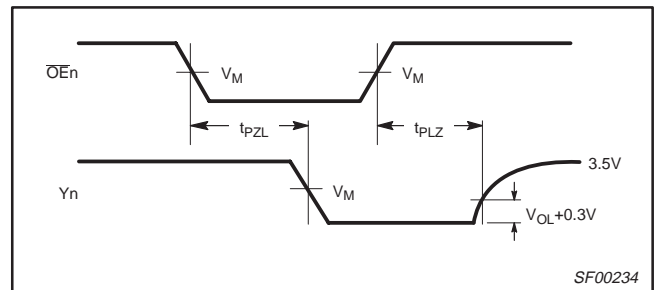
For all waveforms,  $V_M = 1.3V$ .



Waveform 1. Propagation Delay for Non-inverting Outputs



Waveform 2. 3-State Output Enable Time to High Level and Output Disable Time from High Level



Waveform 3. 3-State Output Enable Time to Low Level and Output Disable Time from Low Level

## TEST CIRCUIT AND WAVEFORMS

**Test Circuit for 3-State Outputs**

SWITCH POSITION	
TEST	SWITCH
$t_{pLZ}, t_{pZL}$	closed
All other	open

**DEFINITIONS:**  
 $R_L$  = Load resistor; see AC electrical characteristics for value.  
 $C_L$  = Load capacitance includes jig and probe capacitance; see AC electrical characteristics for value.  
 $R_T$  = Termination resistance should be equal to  $Z_{OUT}$  of pulse generators.

**Input Pulse Definition**

Family	INPUT PULSE REQUIREMENTS					
	Amplitude	$V_M$	Rep.Rate	$t_w$	$t_{TLH}$	$t_{THL}$
74ALS	3.5V	1.3V	1MHz	500ns	2.0ns	2.0ns

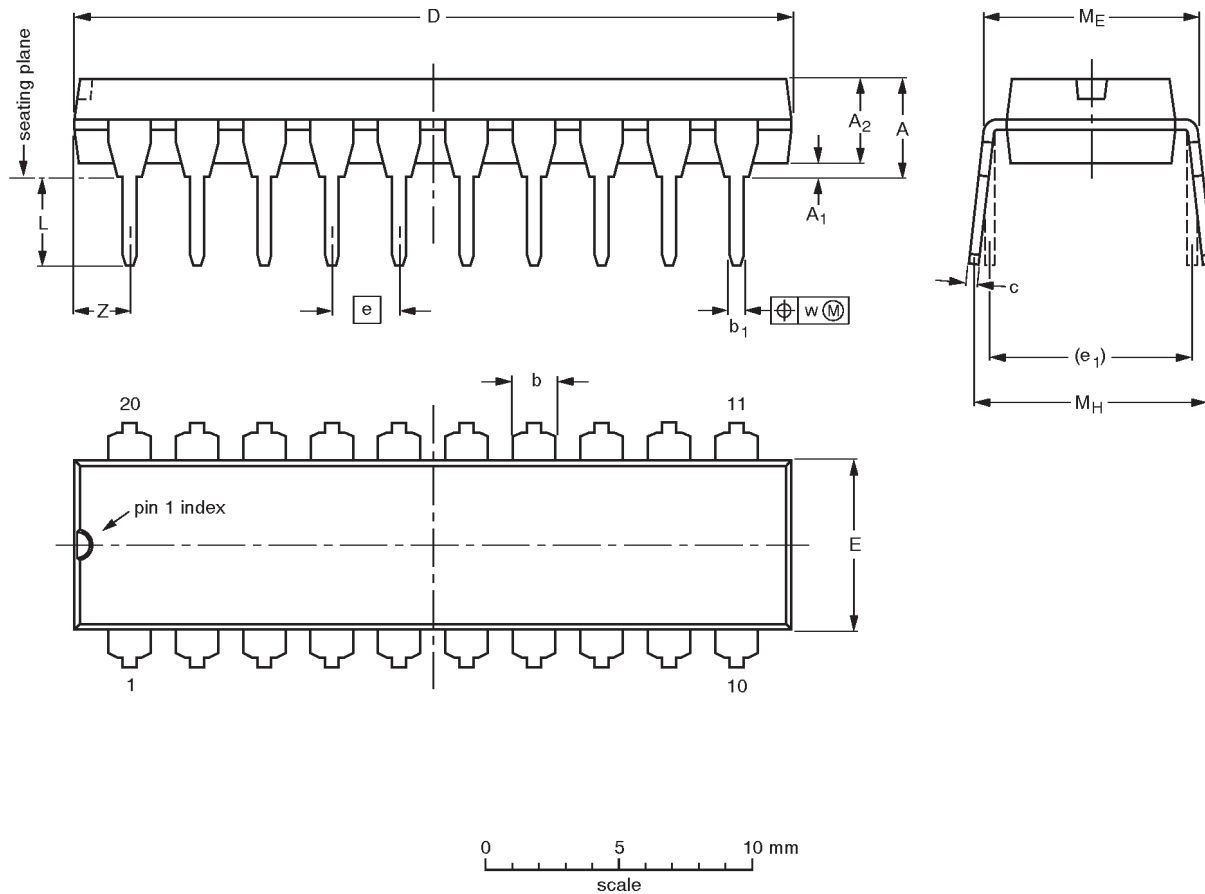
SC00072

# Octal buffer (3-State)

# 74ALS244A/74ALS244-1

DIP20: plastic dual in-line package; 20 leads (300 mil)

SOT146-1



**DIMENSIONS** (inch dimensions are derived from the original mm dimensions)

UNIT	A max.	A <sub>1</sub> min.	A <sub>2</sub> max.	b	b <sub>1</sub>	c	D <sup>(1)</sup>	E <sup>(1)</sup>	e	e <sub>1</sub>	L	M <sub>E</sub>	M <sub>H</sub>	w	Z <sup>(1)</sup> max.
mm	4.2	0.51	3.2	1.73 1.30	0.53 0.38	0.36 0.23	26.92 26.54	6.40 6.22	2.54	7.62	3.60 3.05	8.25 7.80	10.0 8.3	0.254	2.0
inches	0.17	0.020	0.13	0.068 0.051	0.021 0.015	0.014 0.009	1.060 1.045	0.25 0.24	0.10	0.30	0.14 0.12	0.32 0.31	0.39 0.33	0.01	0.078

**Note**

1. Plastic or metal protrusions of 0.25 mm maximum per side are not included.

OUTLINE VERSION	REFERENCES				EUROPEAN PROJECTION	ISSUE DATE
	IEC	JEDEC	EIAJ			
SOT146-1			SC603			92-11-17 95-05-24

# Octal buffer (3–State)

# 74ALS244A/74ALS244–1

**SO20:** plastic small outline package; 20 leads; body width 7.5 mm

**SOT163-1**



**DIMENSIONS (inch dimensions are derived from the original mm dimensions)**

UNIT	A max.	A <sub>1</sub>	A <sub>2</sub>	A <sub>3</sub>	b <sub>p</sub>	c	D <sup>(1)</sup>	E <sup>(1)</sup>	e	H <sub>E</sub>	L	L <sub>p</sub>	Q	v	w	y	Z <sup>(1)</sup>	θ
mm	2.65	0.30 0.10	2.45 2.25	0.25	0.49 0.36	0.32 0.23	13.0 12.6	7.6 7.4	1.27	10.65 10.00	1.4	1.1 0.4	1.1 1.0	0.25	0.25	0.1	0.9 0.4	8° 0°
inches	0.10	0.012 0.004	0.096 0.089	0.01	0.019 0.014	0.013 0.009	0.51 0.49	0.30 0.29	0.050	0.42 0.39	0.055	0.043 0.016	0.043 0.039	0.01	0.01	0.004	0.035 0.016	

**Note**

1. Plastic or metal protrusions of 0.15 mm maximum per side are not included.

OUTLINE VERSION	REFERENCES				EUROPEAN PROJECTION	ISSUE DATE
	IEC	JEDEC	EIAJ			
SOT163-1	075E04	MS-013AC				92-11-17 95-01-24

# Octal buffer (3–State)

# 74ALS244A/74ALS244–1

**SSOP20: plastic shrink small outline package; 20 leads; body width 5.3 mm**

**SOT339-1**



**DIMENSIONS (mm are the original dimensions)**

UNIT	A max.	A <sub>1</sub>	A <sub>2</sub>	A <sub>3</sub>	b <sub>p</sub>	c	D <sup>(1)</sup>	E <sup>(1)</sup>	e	H <sub>E</sub>	L	L <sub>p</sub>	Q	v	w	y	Z <sup>(1)</sup>	θ
mm	2.0	0.21 0.05	1.80 1.65	0.25	0.38 0.25	0.20 0.09	7.4 7.0	5.4 5.2	0.65	7.9 7.6	1.25	1.03 0.63	0.9 0.7	0.2	0.13	0.1	0.9 0.5	8° 0°

**Note**

1. Plastic or metal protrusions of 0.20 mm maximum per side are not included.

OUTLINE VERSION	REFERENCES				EUROPEAN PROJECTION	ISSUE DATE
	IEC	JEDEC	EIAJ			
SOT339-1		MO-150AE				93-09-08 95-02-04



## Octal buffer (3–State)

74ALS244A/74ALS244–1

## DEFINITIONS

Data Sheet Identification	Product Status	Definition
<i>Objective Specification</i>	<b>Formative or in Design</b>	This data sheet contains the design target or goal specifications for product development. Specifications may change in any manner without notice.
<i>Preliminary Specification</i>	<b>Preproduction Product</b>	This data sheet contains preliminary data, and supplementary data will be published at a later date. Philips Semiconductors reserves the right to make changes at any time without notice in order to improve design and supply the best possible product.
<i>Product Specification</i>	<b>Full Production</b>	This data sheet contains Final Specifications. Philips Semiconductors reserves the right to make changes at any time without notice, in order to improve design and supply the best possible product.

Philips Semiconductors and Philips Electronics North America Corporation reserve the right to make changes, without notice, in the products, including circuits, standard cells, and/or software, described or contained herein in order to improve design and/or performance. Philips Semiconductors assumes no responsibility or liability for the use of any of these products, conveys no license or title under any patent, copyright, or mask work right to these products, and makes no representations or warranties that these products are free from patent, copyright, or mask work right infringement, unless otherwise specified. Applications that are described herein for any of these products are for illustrative purposes only. Philips Semiconductors makes no representation or warranty that such applications will be suitable for the specified use without further testing or modification.

## LIFE SUPPORT APPLICATIONS

Philips Semiconductors and Philips Electronics North America Corporation Products are not designed for use in life support appliances, devices, or systems where malfunction of a Philips Semiconductors and Philips Electronics North America Corporation Product can reasonably be expected to result in a personal injury. Philips Semiconductors and Philips Electronics North America Corporation customers using or selling Philips Semiconductors and Philips Electronics North America Corporation Products for use in such applications do so at their own risk and agree to fully indemnify Philips Semiconductors and Philips Electronics North America Corporation for any damages resulting from such improper use or sale.

**Philips Semiconductors**  
**811 East Arques Avenue**  
**P.O. Box 3409**  
**Sunnyvale, California 94088–3409**  
**Telephone 800-234-7381**

© Copyright Philips Electronics North America Corporation 1997  
 All rights reserved. Printed in U.S.A.

*Let's make things better.*

**Philips**  
**Semiconductors**



**PHILIPS**